



TWIN & TriPlus
Automatic Greasing Systems

EP1701

Groeneveld Transport Efficiency B.V.

Stephensonweg 12
4207 HB Gorinchem
The Netherlands

P.O. box 777
4200 AT Gorinchem
The Netherlands

Tel. : +31 183 64 14 00
Fax : +31 183 62 44 74
URL: www.groeneveld-groep.com

Title : Groeneveld *TWIN & TriPlus* Automatic Greasing Systems
Publication number : EP1701
Publication date : January 2002

All rights reserved. No part of this manual may be copied and/or published by means of printing, photocopying, microfilm or by any other means without prior written permission from *Groeneveld*. This applies also to the drawings and diagrams appended.

Groeneveld reserves the right to change parts at any time, without prior or direct notice to the customer. The contents of this manual may also be changed without prior notice.

This manual applies to the standard version of the product. *Groeneveld* cannot accept liability for any damage arising from the use of specifications other than that supplied.

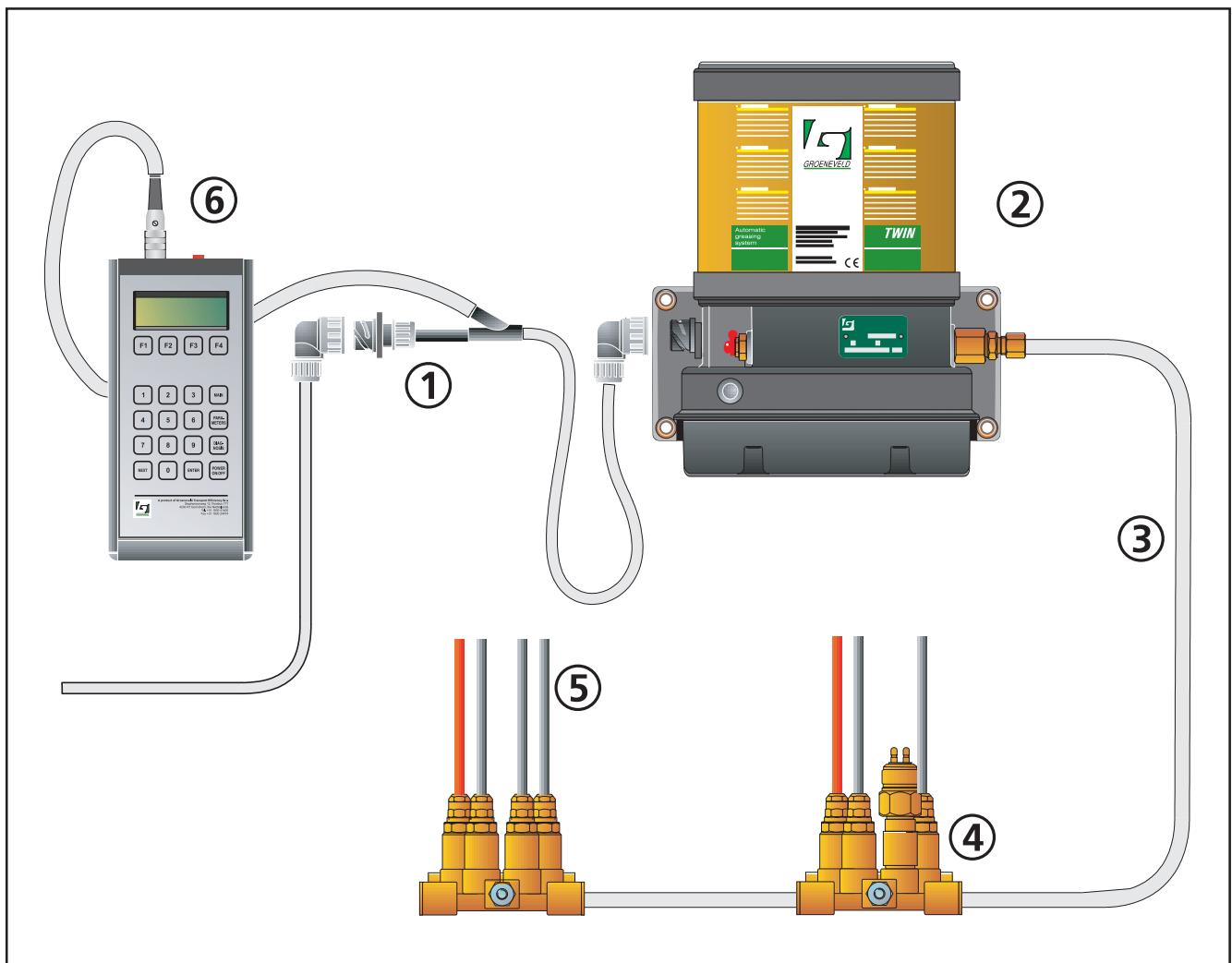
You are requested to contact *Groeneveld* technical service for information concerning adjustment, maintenance work or repairs that is not described in this manual.

Whilst this manual has been prepared with the greatest possible care *Groeneveld* cannot accept responsibility for any errors of the consequences of such errors.

TWIN & TriPlus **Automatic Greasing Systems**

TABLE OF CONTENTS

| | |
|--|----|
| Introduction | 5 |
| 1 Control elements and connecting material | 7 |
| 2 Grease pumps and brackets | 9 |
| 3 Main line | 13 |
| 4 Metering units | 37 |
| 5 Secondary tubes | 43 |
| 6 Various materials and parts | 59 |
| 7 TriPlus parts overview | 71 |



INTRODUCTION

This book gives an overview of the frequently used parts of the Automatic *TWIN* & *TriPlus* Greasing Systems of Groeneveld.

The chapters 1 until 5 contain each a part of the complete Greasing System. The parts represented in these chapters are shown in a clear way, representing clearly their functionality. In chapter 6 several parts are listed such as clamping materials and GreenLube-EP-2 grease. Chapter 7 gives an overview of the *TriPlus* Greasing Systems.

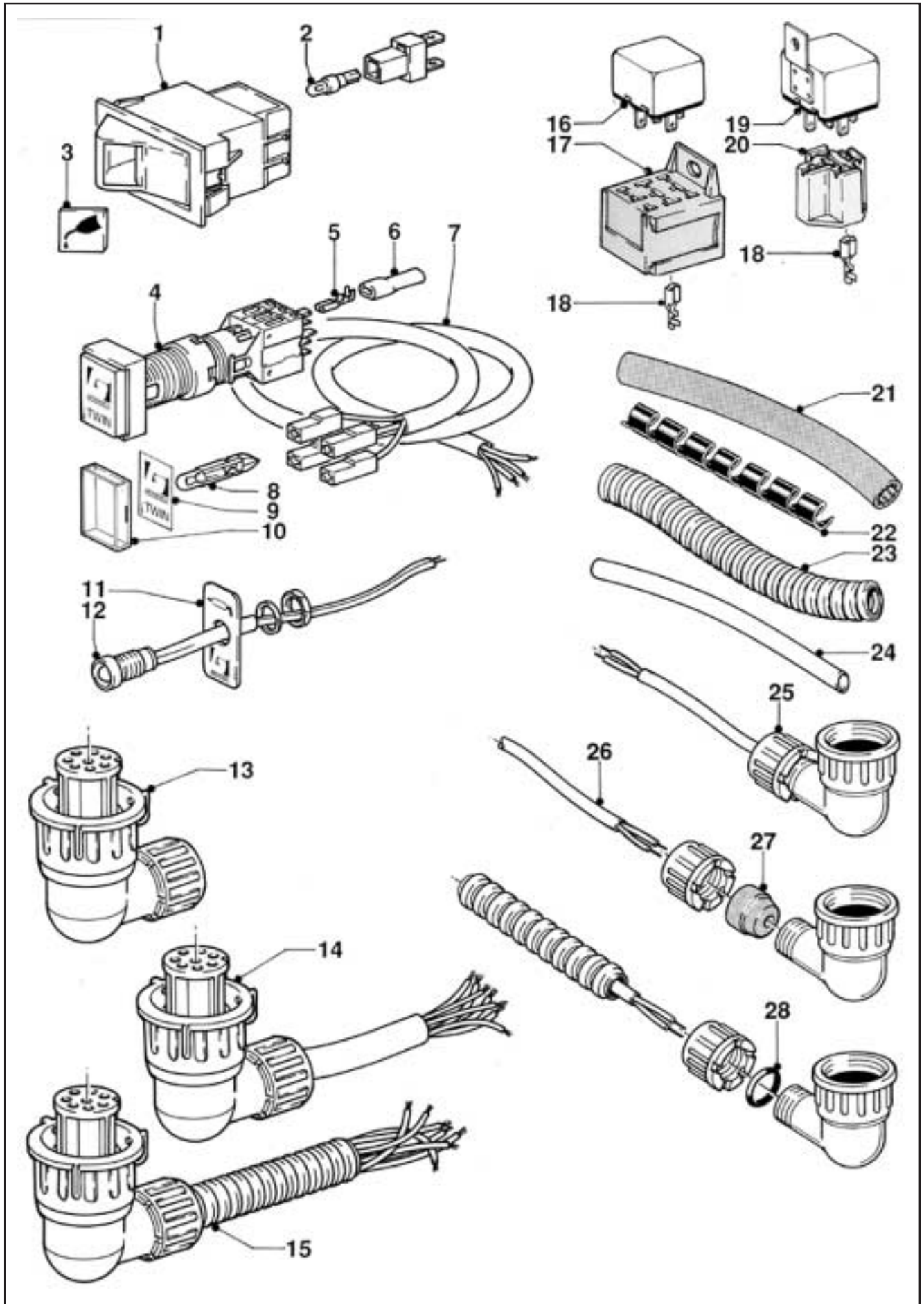
Material indication

| | |
|-------|--------------------------|
| BR | Brass (Messing) |
| PA | Polyamide (synthetic) |
| ST-YG | Steel, yellow passivated |
| ST-G | Steel, galvanised |
| SST | Stainless steel |

How to order?

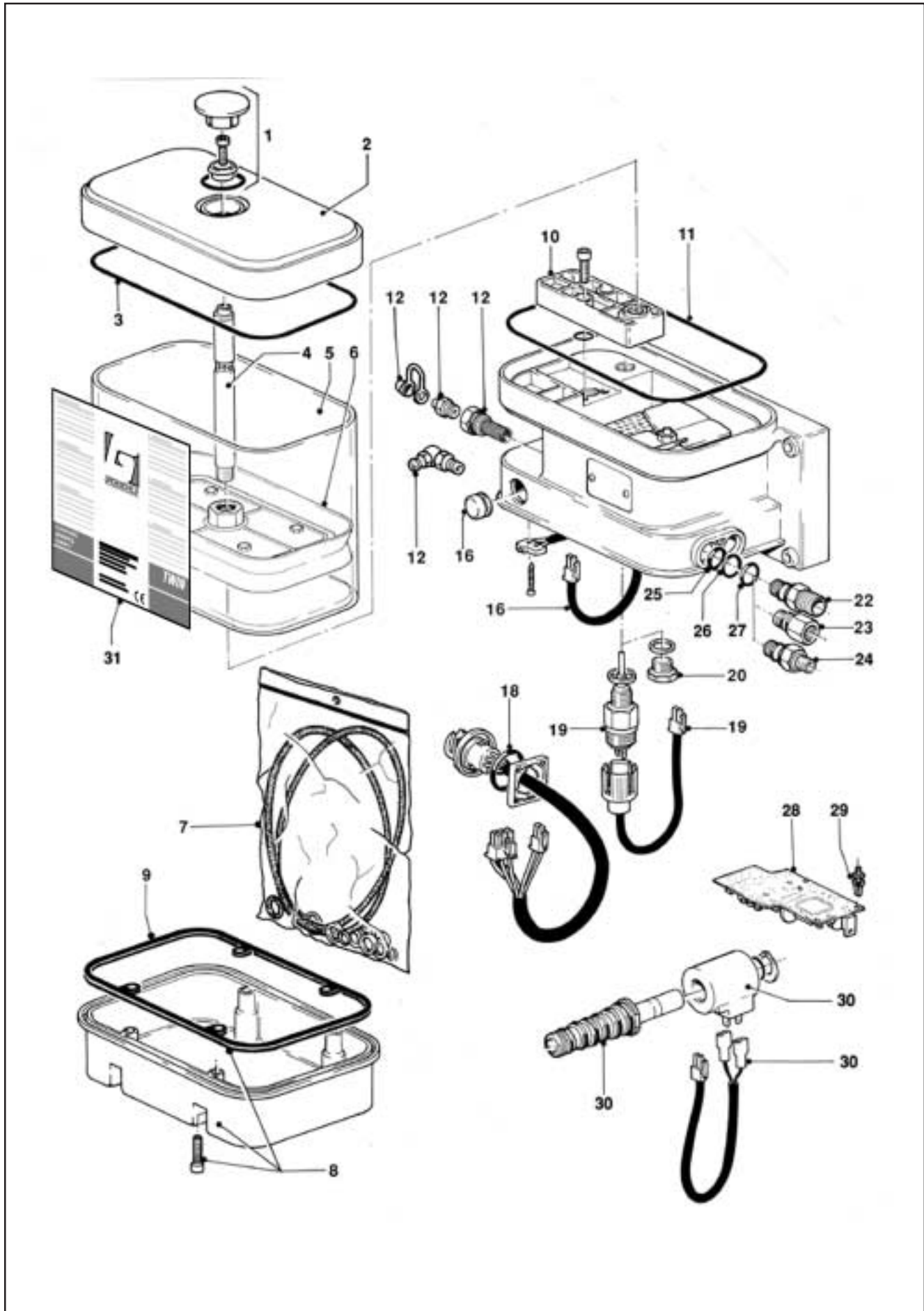
Mention by each order:

- Article number
- Required quantity
- Length (by tubes)



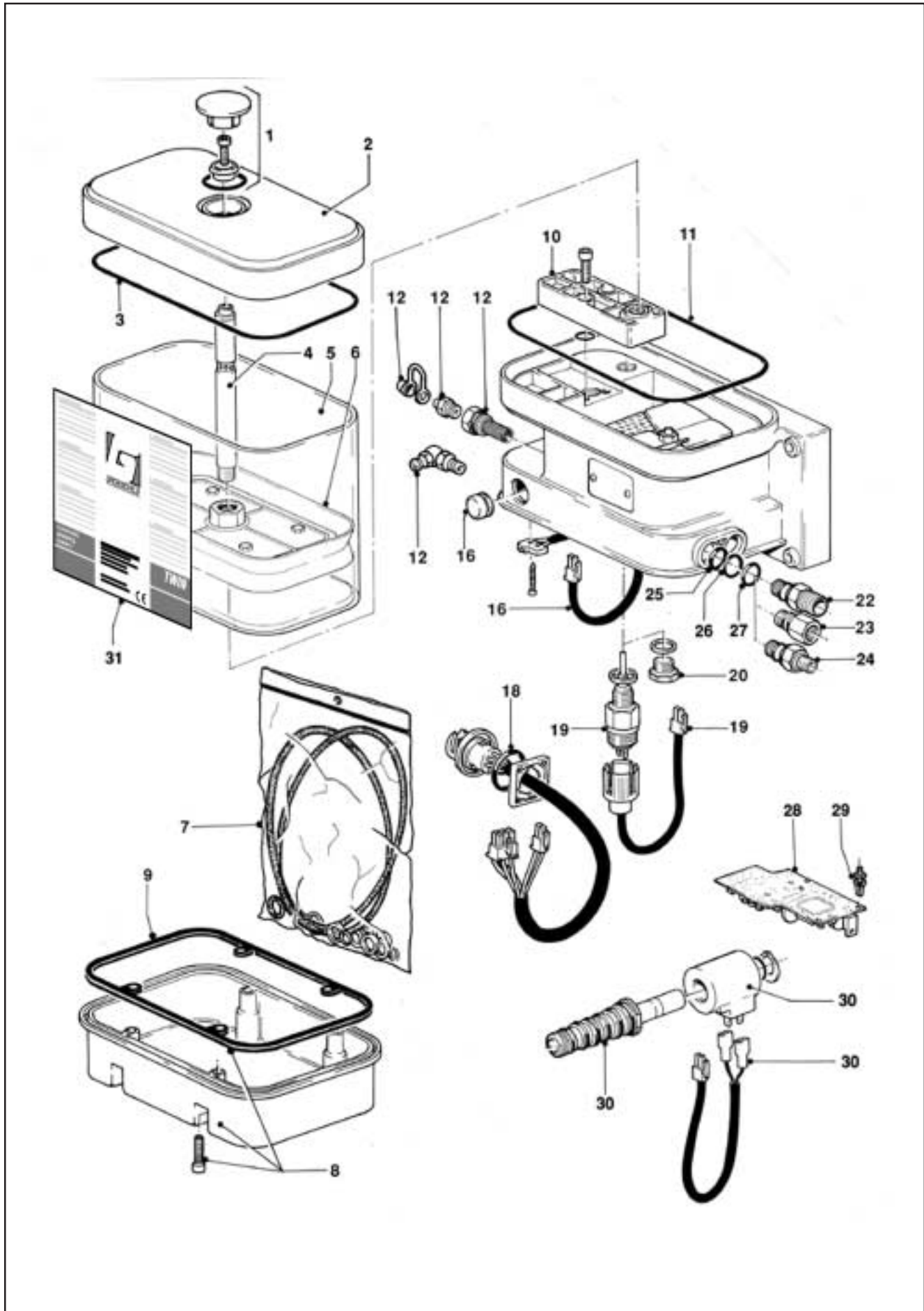
1 - CONTROL ELEMENTS AND CONNECTING MATERIAL

| Lamp alarm water-tight 56122 + 56222 | | |
|---|----------------|--|
| <i>pos.</i> | <i>art.nr.</i> | <i>description</i> |
| 1 | 128.17 | Mode-selection pushbutton / Lamp |
| | 169.22 | Mode-selection pushbutton / Lamp |
| 2 | 123.22 | Control lamp 24V |
| | 133.22 | Control lamp 12V |
| 3 | 164.22 | Lamp lens, yellow ('alarm') |
| 4 | 132.33 | Mode-selection pushbutton / Lamp |
| | 713.22 | Mode-selection pushbutton / Lamp |
| | F171540 | Lamp ip67 |
| 5 | 005.17 | Receptacles 1,5mm ² (2,8) |
| 6 | 006.17 | Insulation shell for 00517 |
| 7 | 150.33 | Wiring harness for 13233 / 97201 |
| | 972.01 | Wiring harness for 12817 |
| 8 | 206.33 | Lamp pushbutton 24/28V |
| | 249.33 | Lamp pushbutton 12V |
| 9 | 869.01 | Display panel Twin for 13233 |
| 10 | 868.01 | Yellow lens for 13233 |
| 11 | 976.01 | Display panel Twin for LED |
| 12 | 240.09 | LED yellow |
| 13 | 736.01 | Twin conn. set 8p. (ADR) |
| 14 | 822.01 | Pump wiring harness 7 core/15m. |
| | 823.01 | Pump wiring harness 7 core/7m. |
| | 898.01 | Pump wiring harness 7 core/3m. |
| 15 | 952.01 | Pump wiring harness 9m./ADR/Truck |
| | 002.17 | Wiring harness 7m./VLG for 70001 |
| 16 | 700.09 | Relay 24V, 5-poles without blade |
| 17 | 707.09 | Plug socket 5-p. relay (+blade) |
| 18 | 678.06 | Receptacles 1,5 mm ² |
| 19 | 356.06 | Relay 24V, 5-poles with blade |
| | 708.09 | Relay 12V, 5-poles with blade |
| 20 | 683.06 | Plug socket 5-p. relay (-blade) |
| 21 | 018.08 | Heat shrink tubing l=15cm |
| 22 | 019.08 | Spi-wrap 5 mm |
| | 020.08 | Spi-wrap 8 mm |
| 23 | 140.08 | Flex. synthetic hose |
| 24 | 234.22 | Protection hose Ø 6 mm ID |
| 25 | 048.12 | Pressure switch wiring harness 8m. |
| | 049.12 | Pressure switch wiring harness 15m. |
| | 224.01 | Wiring harness,Con.24mm 2-core 6m |
| | 821.01 | Wiring harness,Con.24mm 2-core |
| 26 | 578.06 | Electric cable 1.5 mm ² GL+BR |
| 27 | 190.08 | Connectorset 2-core |
| 28 | 191.08 | Connectorset 2-core VLG |

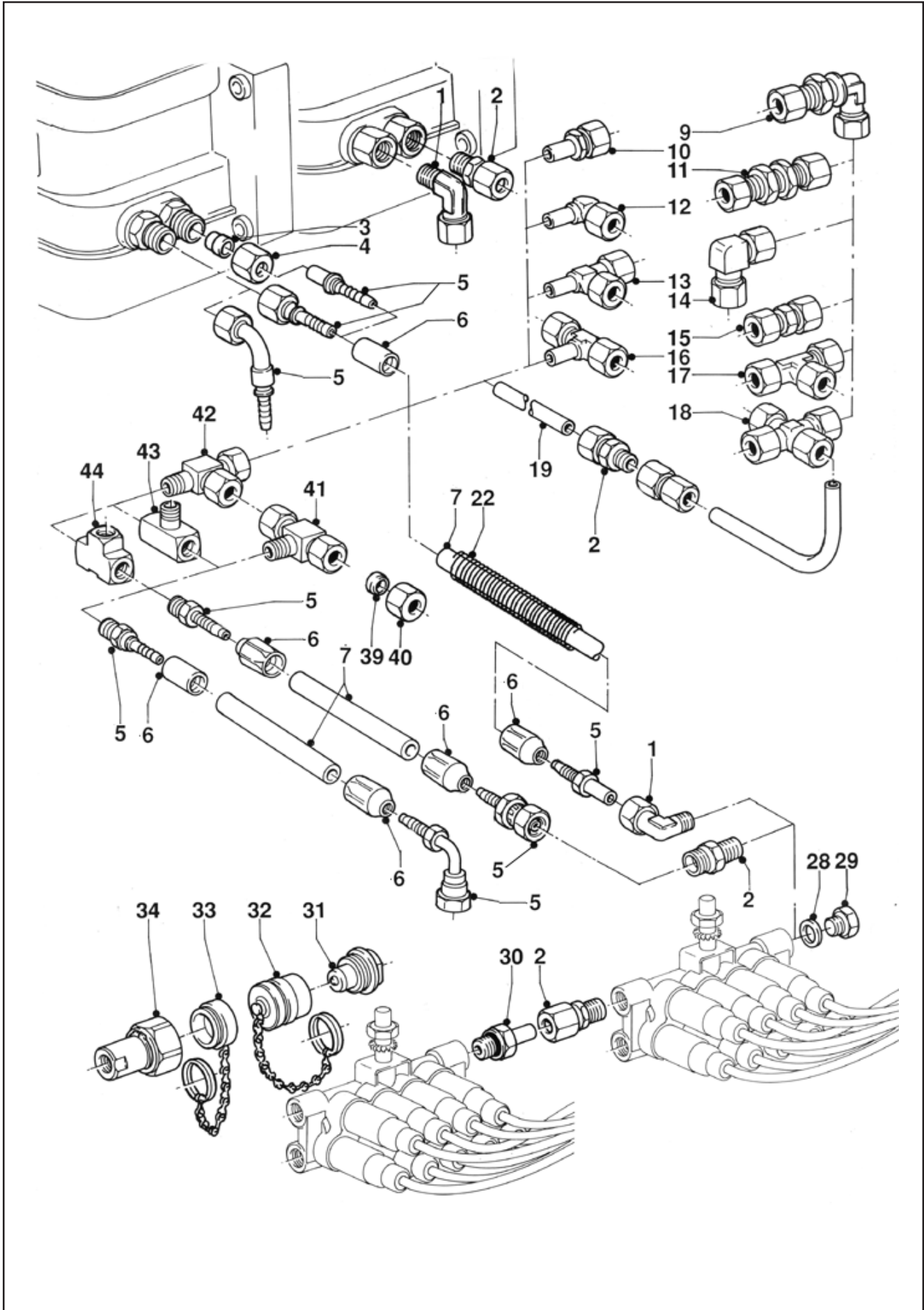


2 - TWIN GREASE PUMPS AND BRACKETS

| TWIN Grease pump | | | | | | | |
|--|---------------------|---|----------------|----------------|----------------|----------------|----------------|
| property | | article number | | | | | |
| | <i>incl. grease</i> | F112589 | F112126 | F112484 | F112942 | F111842 | F111956 |
| | <i>excl. grease</i> | 636.01 | 637.01 | 638.01 | 700.01* | 834.01 | 835.01 |
| Delivery | cc/min. | 12 | 12 | 12 | 12 | 12 | 12 |
| Max. grease pressure | bar | 250 | 250 | 175 | 250 | 250 | 250 |
| Contents reservoir | litres | 4 | 4 | 2 | 3 | 3 | 3 |
| Supply voltage | V dc | 12 | 24 | 24 | 24 | 24 | 12 |
| Current draw | A | 10 | 5 | 5 | 5 | 5 | 10 |
| Follower piston | | yes | yes | yes | yes | yes | yes |
| Minimum level switch | | yes | yes | yes | yes | yes | yes |
| Connector type | | bayonet | bayonet | bayonet | bayonet | bayonet | bayonet |
| Mass | kg | 6,4 | 6,4 | 6,2 | 6,2 | 6,2 | 6,2 |
| Operating temperature | °C | -20/+80 | -20/+80 | -20/+80 | -20/+80 | -20/+80 | -20/+80 |
| Thread-adapter | | M16x1,5 | M16x1,5 | 1/4" inw. | M16x1,5 | M16x1,5 | M16x1,5 |
| *) For external control (without control unit) | | | | | | | |
| pos. | art.nr. | description | | | | | |
| 1 | 597.01 | Fixing set, reservoircap | | | | | |
| 2 | 887.01 | Reservoircap with O-ring | | | | | |
| 3 | 306.01 | Reservoir O-ring | | | | | |
| 4 | 013.17 | Follower piston guide (4 l-reservoir) | | | | | |
| | 888.01 | Follower piston guide (3 l-reservoir) | | | | | |
| | 889.01 | Follower piston guide (2 l-reservoir) | | | | | |
| 5 | 011.17 | Reservoir set 4 l | | | | | |
| | 891.01 | Reservoir set 2 l | | | | | |
| | 892.01 | Reservoir set 3 l | | | | | |
| 6 | 012.17 | Follower piston 4 l | | | | | |
| | 890.01 | Follower piston 2-3 l | | | | | |
| 7 | 884.01 | Gasket and O-ring set | | | | | |
| 8 | 877.01 | Bottom cap (complete) | | | | | |
| 9 | 084.17 | Gasket | | | | | |
| 10 | 894.01 | Bridge piece follower piston guide (2-3 l reservoir) | | | | | |
| | 173.16 | Bridge piece follower piston guide (4 l reservoir) | | | | | |
| 11 | 893.01 | Reservoir O-ring (bottom) | | | | | |
| 12 | F170206 | Filling set + quick-disconnect coupling | | | | | |
| | F170207 | Filling set + grease nipple | | | | | |
| 16 | F170210 | Test button | | | | | |
| 18 | 007.17 | Internal wiring harness with a connector for the pump 700.01 | | | | | |
| | 875.01 | Internal wiring harness with a connector | | | | | |
| 19 | F170211 | Minimum level switch | | | | | |
| 20 | 599.01 | Plug with O-ring M16x1,5 | | | | | |
| 22 | 967.01 | Thread-adapter set M14x1,5 - M16x1,5 ferrule connector (incl. O-ring) | | | | | |
| 23 | 789.01 | Thread-adapter set M14x1,5-1/4" - inside (incl. O-ring) | | | | | |
| 24 | 824.01 | Thread-adapter set M14x1,5-1/4" - outside (incl. O-ring) | | | | | |

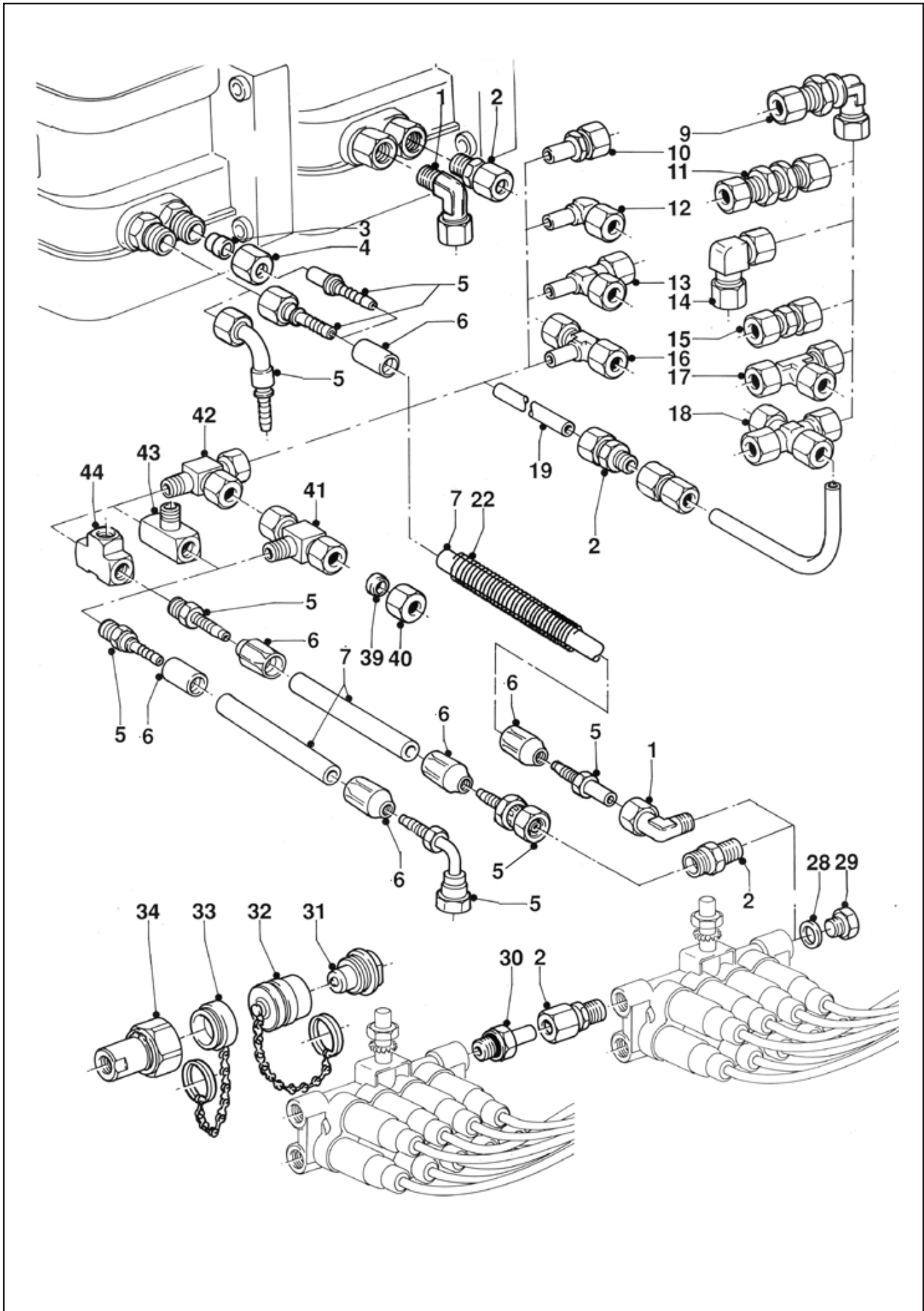


| TWIN Grease pump (continuation) | | |
|--|----------------|-------------------------------------|
| <i>pos.</i> | <i>art.nr.</i> | <i>description</i> |
| 25 | 792.01 | O-ring |
| 26 | 086.17 | O-ring |
| 27 | 791.01 | O-ring |
| 28 | 900.17 | Control unit 24V |
| | 987.01 | Control unit 12V |
| 29 | 883.01 | Lock-pins |
| 30 | F170208 | Valve 24VDC |
| | F170209 | Valve 12VDC |
| | F170212 | Valve 12VDC (from serialnr. 015963) |
| | F170213 | Valve 24VDC (from serialnr. 015963) |
| 31 | 004.17 | Twin reservoirsticker 2-4L |
| | 831.01 | Twin reservoirsticker 3L |

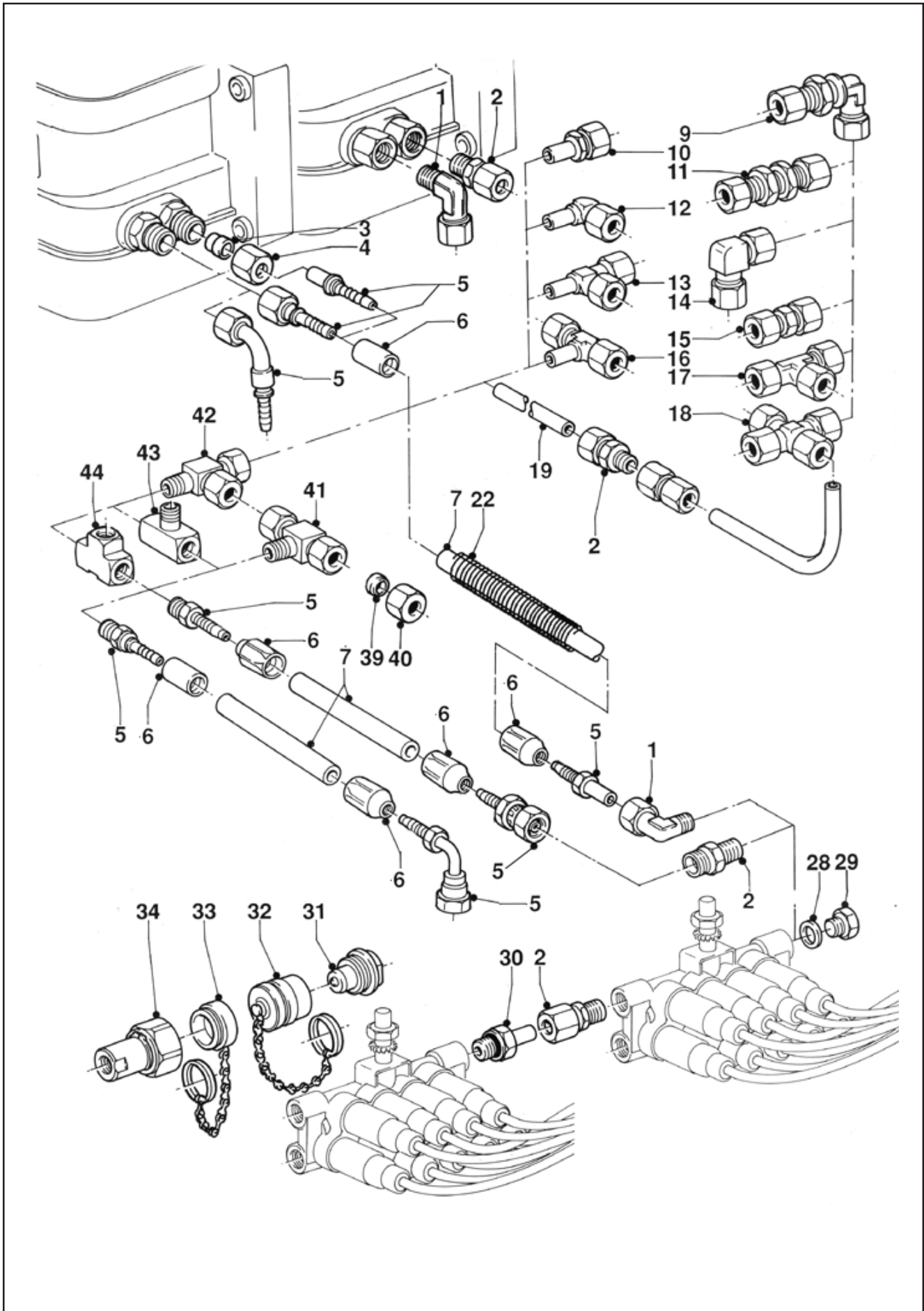


3 - MAIN LINE

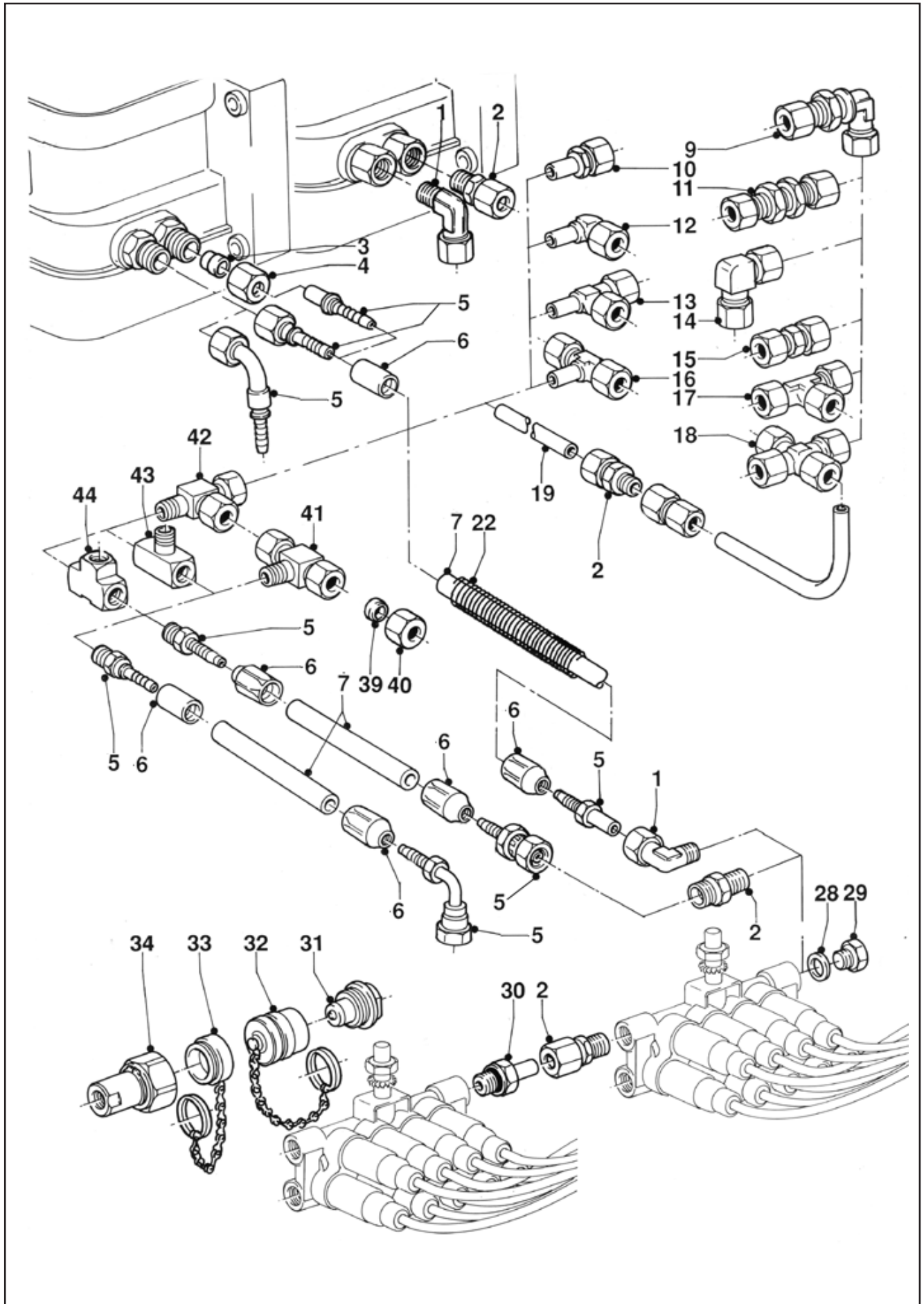
| Male stud elbow with ferrule | | | |
|-------------------------------------|----------------|---|-----------------|
| <i>pos.</i> | <i>art.nr.</i> | <i>description</i> | <i>material</i> |
| 1 | 56402 | Male stud elbow \varnothing 8-1/4 NPT | SST |
| | F170873 | Male stud elbow \varnothing 8-1/4 NPT body | SST |
| | 45602 | Male stud elbow \varnothing 8-1/4 NPT | ST-YG |
| | 72222 | Male stud elbow \varnothing 8-1/4 NPT body | ST-YG |
| | 47102 | Male stud elbow \varnothing 8-3/8 NPT | ST-YG |
| | 14422 | Male stud elbow \varnothing 8-M14x1,5 | ST-YG |
| | 47402 | Male stud elbow \varnothing 10-1/4 NPT | ST-YG |
| | 72322 | Male stud elbow \varnothing 10-1/4 NPT body | ST-YG |
| | 42801 | Male stud elbow \varnothing 10-1/4 NPT body | ST-YG |
| | 47502 | Male stud elbow \varnothing 10-3/8 NPT | ST-YG |
| | 14222 | Male stud elbow \varnothing 10-M1/4x1,5 | ST-YG |
| | 17501 | Male stud elbow \varnothing 10-R1/4 | BR |
| | 58202 | Male stud elbow \varnothing 10-R1/4 | SST |
| | 60102 | Male stud elbow \varnothing 12-R1/4 | SST |
| | 49302 | Male stud elbow \varnothing 12-R1/4 | ST-YG |
| | 24708 | Male stud elbow \varnothing 15-1/2 | ST-YG |
| | 60122 | Male stud elbow \varnothing 15-3/8 | ST-YG |
| | 43801 | Male stud elbow \varnothing 5/16-G1/4 | BR |
| | 11301 | Male stud elbow \varnothing 5/16-R1/8 | BR |



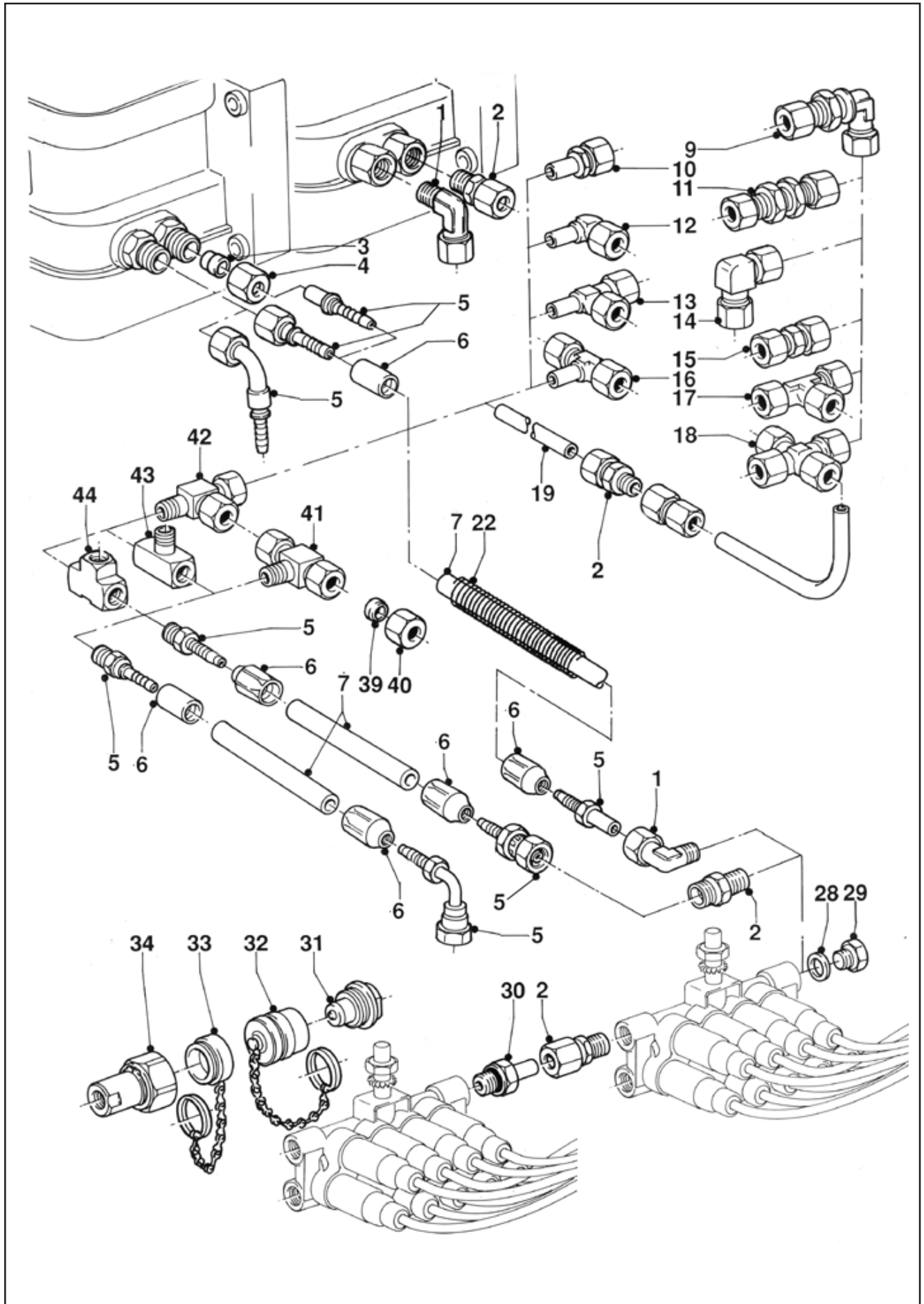
| Male stud coupling with ferrule | | | |
|--|----------------|--------------------------------------|-----------------|
| <i>pos.</i> | <i>art.nr.</i> | <i>description</i> | <i>material</i> |
| 2 | 72022 | Male stud coupling ø 8-1/4 NPT body | ST-YG |
| | 45502 | Male stud coupling ø 8-1/4 NPT | ST-YG |
| | F170899 | Male stud coupling ø 8-1/4 body | SST |
| | 22822 | Male stud coupling ø 8-1/8 NPT | SST |
| | 50922 | Male stud coupling ø 8-1/8 NPT | ST-YG |
| | 56302 | Male stud coupling ø 8-G1/4 | SST |
| | 22901 | Male stud coupling ø 8-G1/8 (cal) | BR |
| | 57302 | Male stud coupling ø 8-G1/8 | SST |
| | 47002 | Male stud coupling ø 8-G3/8 | ST-YG |
| | 09708 | Male stud coupling ø 8-M12x1,5 | ST-YG |
| | 14322 | Male stud coupling ø 8-M14x1,5 | ST-YG |
| | 43101 | Male stud coupling ø 8-M16x1,5 | ST-YG |
| | 17401 | Male stud coupling ø 10-1/4 | BR |
| | 72122 | Male stud coupling ø 10-1/4 NPT body | ST-YG |
| | 47202 | Male stud coupling ø 10-1/4 NPT | ST-YG |
| | 22422 | Male stud coupling ø 10-3/8 NPT | SST |
| | 44422 | Male stud coupling ø 10-M12x1,5 | ST-YG |
| | 12722 | Male stud coupling ø 10-M14x1,5 | ST-YG |
| | 43201 | Male stud coupling ø 10-M16x1,5 | ST-YG |
| | 58002 | Male stud coupling ø 10-R1/4 | SST |
| | 47302 | Male stud coupling ø 10-R3/8 | ST-YG |
| | F170785 | Male stud coupling ø 12-1/4 body | ST-YG |
| | 60002 | Male stud coupling ø 12-G1/4 | SST |
| | 49202 | Male stud coupling ø 12-G1/4 | ST-YG |
| | 50002 | Male stud coupling ø 12-R3/8 | ST-YG |
| | 36502 | Male stud coupling ø 15-1/2D | ST-YG |
| | 24608 | Male stud coupling ø 15-G1/2 | ST-YG |
| | 55022 | Male stud coupling ø 15-M16x1,5 | ST-YG |
| | 22709 | Male stud coupling ø 15-M22 | ST-YG |
| | 24008 | Male stud coupling ø 15-M22x1,5 | ST-YG |
| | 80222 | Male stud coupling ø 22mm-1/2 " | SST |
| | 80122 | Male stud coupling ø 22mm-1/2 " | ST-YG |
| | 11201 | Male stud coupling ø 5/16 "-1/4 | BR |
| | 43901 | Male stud coupling ø 5/16 "-1/4 | BR |
| | 11401 | Male stud coupling ø 5/16 "-1/8 | BR |



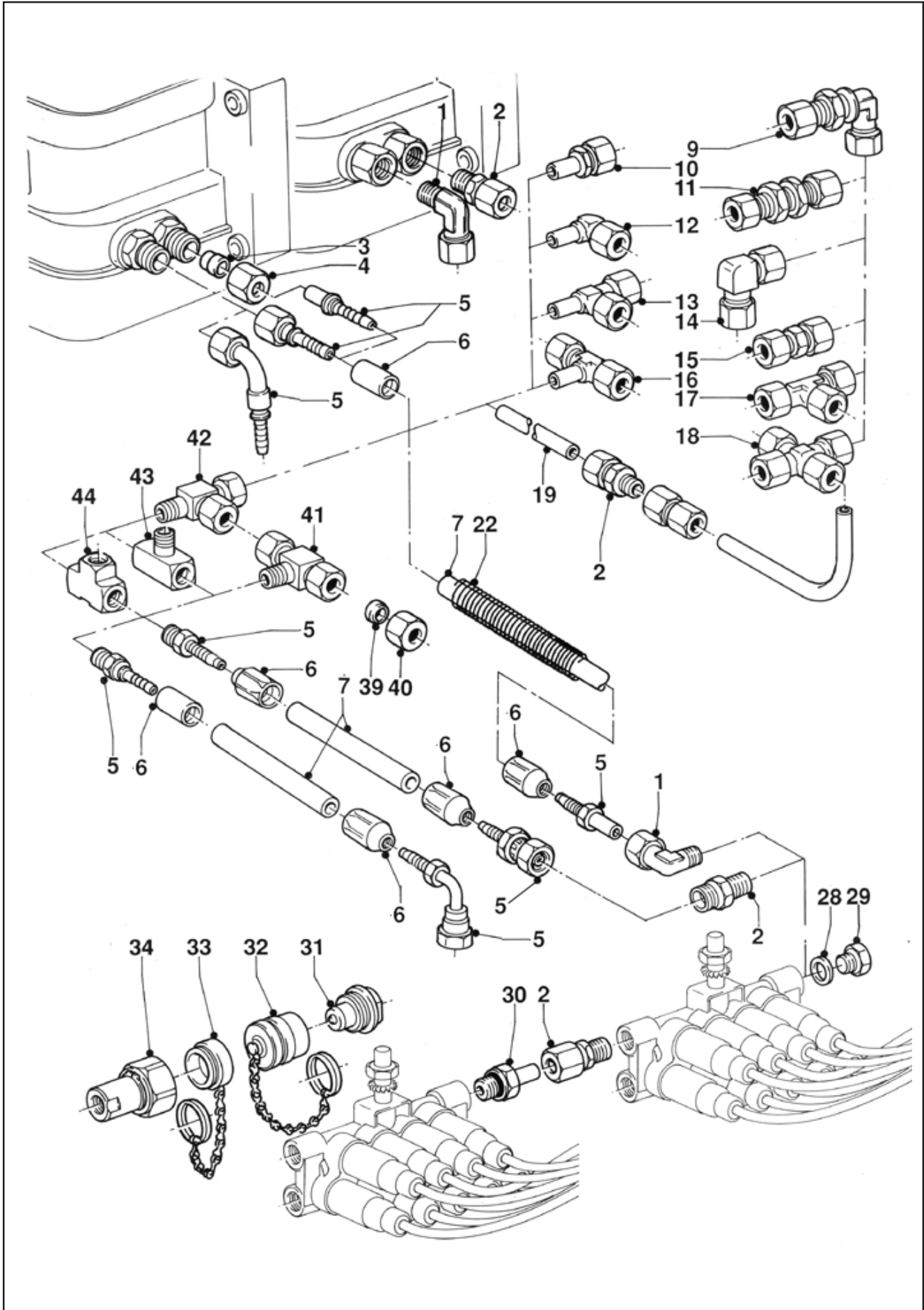
| Compression ferrule | | | | | |
|---|----------------|---|---------------|---------------|-----------------|
| <i>pos.</i> | <i>art.nr.</i> | <i>description</i> | | | <i>material</i> |
| 3/39 | 46502 | Compression ferrule ø 8 | | | BR |
| | 57702 | Compression ferrule ø 8 | | | SST |
| | 46902 | Compression ferrule ø 8 | | | ST-YG |
| | 36401 | Compression ferrule ø 10 | | | BR |
| | 17901 | Compression ferrule ø 10 2-sides | | | BR |
| | 59702 | Compression ferrule ø 10 | | | SST |
| | 48902 | Compression ferrule ø 10 | | | ST-YG |
| | 61402 | Compression ferrule ø 12 | | | SST |
| | 50602 | Compression ferrule ø 12 | | | ST-YG |
| | 24508 | Compression ferrule ø 15 | | | BR |
| | 59902 | Compression ferrule ø 15 | | | SST |
| | 31408 | Compression ferrule ø 15 | | | ST-YG |
| | 31908 | Compression ferrule ø 18 | | | BR |
| | 26322 | Compression ferrule ø 22 | | | SST |
| Nut | | | | | |
| <i>pos.</i> | <i>art.nr.</i> | <i>size A</i> | <i>size B</i> | <i>size C</i> | <i>material</i> |
| 4/40 | 46802 | 8 | M14x1,5 | | ST-YG |
| | 57602 | 8 | M14x1,5 | | SST |
| | 18001 | 10 | M16x1,5 | | BR |
| | 48802 | 10 | M16x1,5 | | ST-YG |
| | 59602 | 10 | M16x1,5 | | SST |
| | 50502 | 12 | M18x1,5 | | ST-YG |
| | 24408 | 15 | M22x1,5 | | ST-YG |
| | 33308 | 18 | M26x1,5 | | ST-YG |
| | 16101 | 5/16" | M12x1 | | BR |
| High pressure hose 4mm I.D./9mm O.D. | | | | | |
| <i>pos.</i> | <i>art.nr.</i> | <i>description</i> | | | <i>material</i> |
| 5 | 11816 | Elbow stand pipe 6mm (crimp) | | | ST-YG |
| | 11716 | Straight stand pipe 6mm (crimp) 4mm | | | ST-YG |
| | 09516 | Elbow stand pipe + socket, screw coupling 6mm | | | ST-YG |
| | 06416 | Straight stand pipe + socket, screw coupling 1/8" | | | ST-YG |
| | 06316 | Straigth stand pipe + socket, screw coupling 8mm | | | ST-YG |
| | 06216 | Straigth stand pipe + socket, screw coupling 5mm | | | ST-YG |
| | 05816 | Straigth stand pipe, screw coupling 4mm | | | ST-YG |
| 6 | 11916 | Crimp socket for 05716 | | | ST-YG |
| 7 | 05716 | H.P.H. 4mm I.D./9mm O.D. | | | |



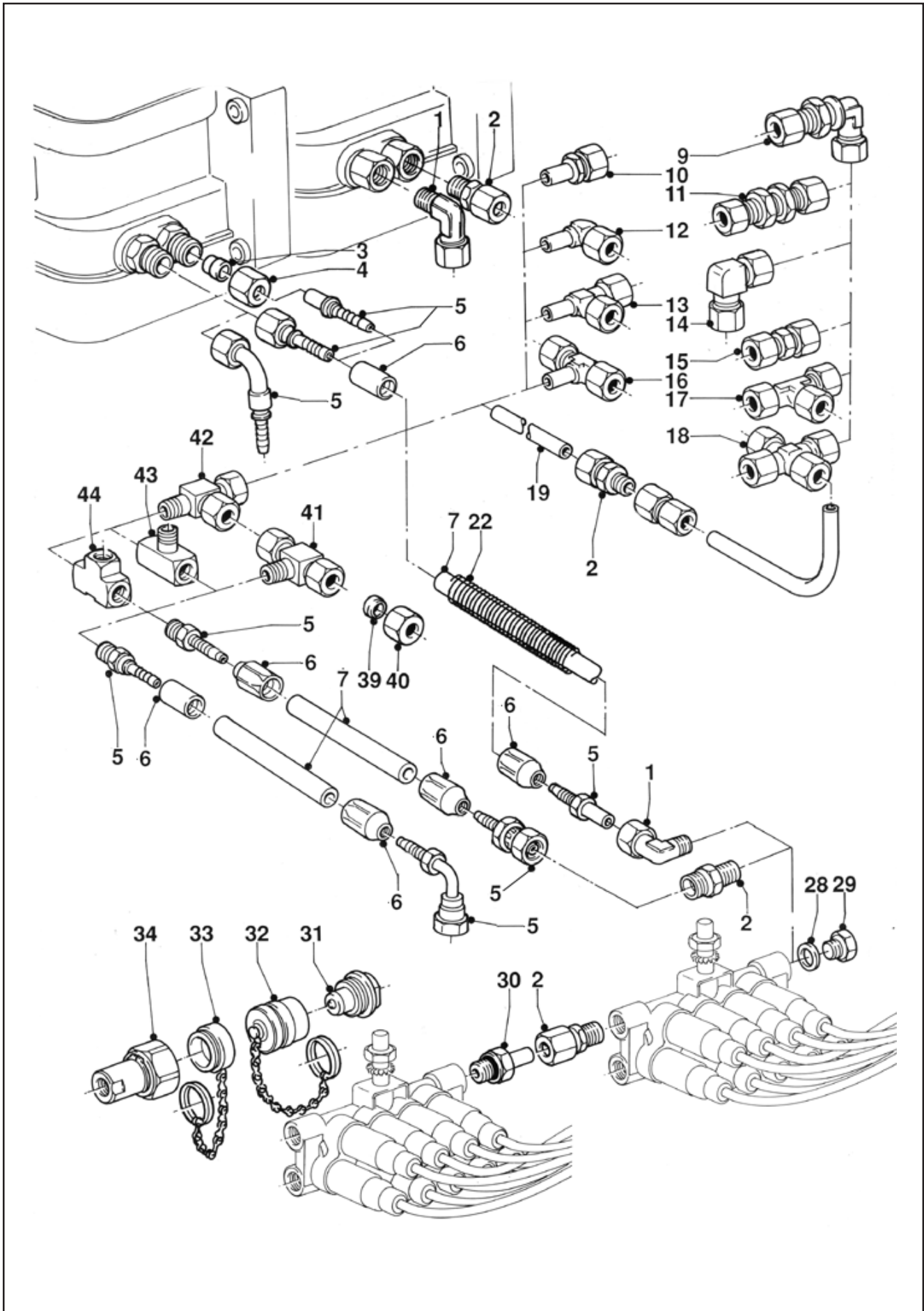
| High pressure hose 1/4" (crimp) with accessories | | | |
|---|----------------|---|-----------------|
| <i>pos.</i> | <i>art.nr.</i> | <i>description</i> | <i>material</i> |
| 5 | 83022 | Straight stand pipe ø 6 (crimp) 1/4" | ST-YG |
| | 55002 | Straight stand pipe 1/4 NPT (crimp) 1/4" | ST-YG |
| | 11217 | Straight stand pipe 1/4 NPT (crimp) 1/4" | SST |
| | 05617 | Straight stand pipe 1/8 NPT (crimp) 1/4" | ST-YG |
| | 11117 | Straight stand pipe 1/8 NPT (crimp) 1/4" | SST |
| | 05117 | Straight stand pipe ø 5 (crimp) 1/4" | ST-YG |
| | 10617 | Straight stand pipe ø 5 (crimp) 1/4" | SST |
| | 05217 | Straight stand pipe ø 6 (crimp) 1/4" | ST-YG |
| | 10717 | Straight stand pipe ø 6 (crimp) 1/4" | SST |
| | 55102 | Straight stand pipe ø 8 (crimp) 1/4" | ST-YG |
| | 10817 | Straight stand pipe ø 8 (crimp) 1/4" | SST |
| | 55202 | Straight stand pipe ø 10 (crimp) 1/4" | ST-YG |
| | 10917 | Straight stand pipe ø 10 (crimp) 1/4" | SST |
| | 05317 | Straight stand pipe ø 12 (crimp) 1/4" | ST-YG |
| | 11017 | Straight stand pipe ø 12 (crimp) 1/4" | SST |
| | 73922 | Stand pipe + nut (45°) ø 8 (crimp) 1/4" | ST-YG |
| | F117227 | Stand pipe + nut (45°) ø 10 (crimp) 1/4" | ST-YG |
| | F170871 | Elbow stand pipe + nut ø 6 (crimp) 1/4" | SST |
| | 55302 | Elbow stand pipe + nut ø 8 (crimp) 1/4" | ST-YG |
| | 55402 | Elbow stand pipe + nut ø 10 (crimp) 1/4" | ST-YG |
| | F170143 | Elbow stand pipe + nut ø 10 (crimp) 1/4" | SST |
| | 05417 | Straight stand pipe + nut ø 8 (crimp) 1/4" | ST-YG |
| | F170987 | Straight stand pipe + nut ø 8 (crimp) 1/4" | SST |
| | 05517 | Straight stand pipe + nut ø 10 (crimp) 1/4" | ST-YG |



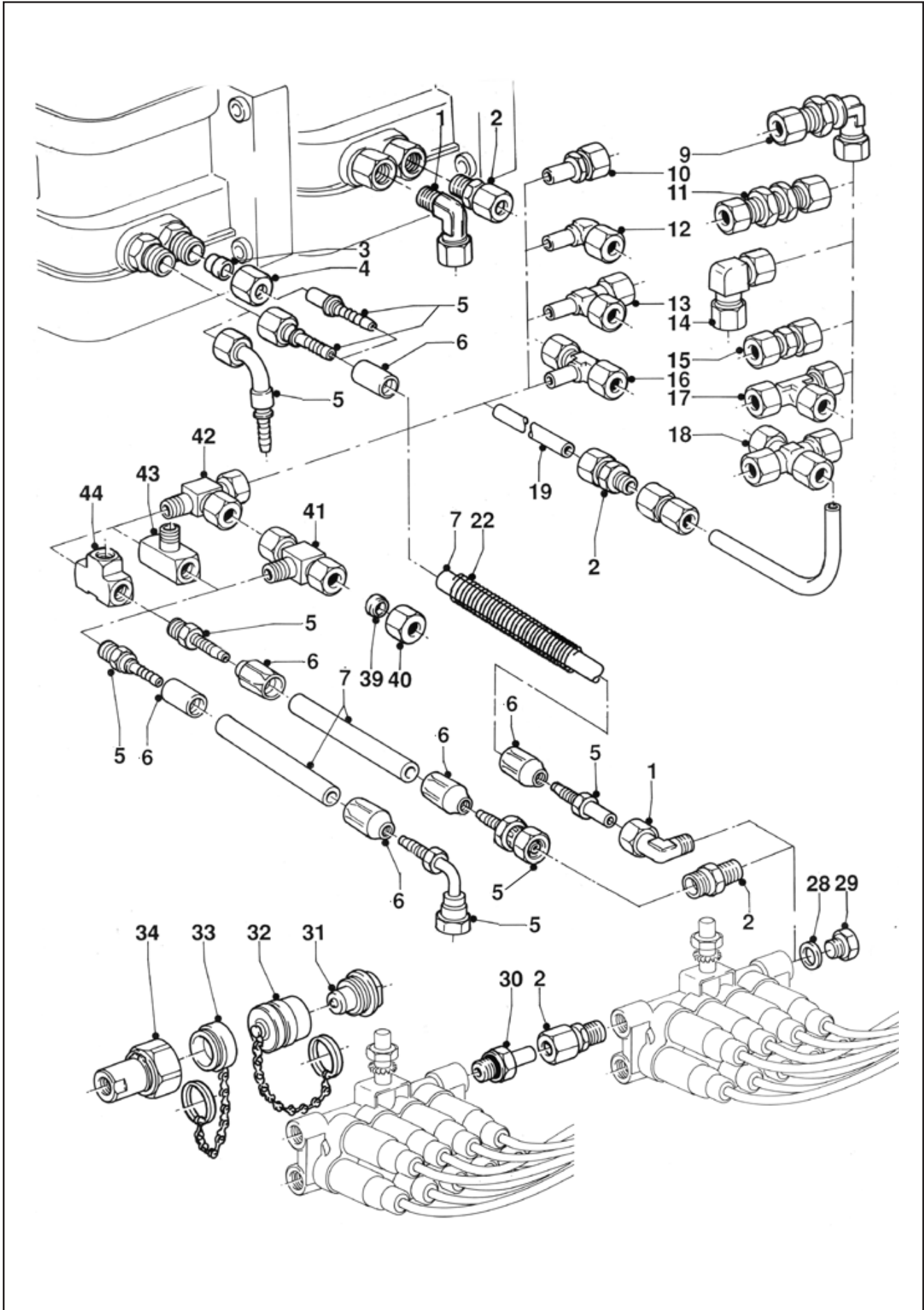
| High pressure hose 1/4" (screw coupling) with accessories | | | |
|--|----------------|--|-----------------|
| <i>pos.</i> | <i>art.nr.</i> | <i>description</i> | <i>material</i> |
| 5/6 | 06317 | Elbow stand pipe ø 8 (screw coupling + nut) 1/4" | ST-YG |
| | 06517 | Elbow stand pipe ø 10 (screw coupling + nut) 1/4" | ST-YG |
| | 06717 | Straight stand pipe 1/4 NPT (screw coupling) 1/4" | ST-YG |
| | 11917 | Straight stand pipe 1/4 NPT (screw coupling) 1/4" | SST |
| | 06617 | Straight stand pipe 1/8 NPT (screw coupling) 1/4" | ST-YG |
| | 11817 | Straight stand pipe 1/8 NPT (screw coupling) 1/4" | SST |
| | 05717 | Straight stand pipe ø 5 (screw coupling) 1/4" | ST-YG |
| | 11317 | Straight stand pipe ø 5 (screw coupling) 1/4" | SST |
| | 05817 | Straight stand pipe ø 6 (screw coupling) 1/4" | ST-YG |
| | 11417 | Straight stand pipe ø 6 (screw coupling) 1/4" | SST |
| | 05917 | Straight stand pipe ø 8 (screw coupling) 1/4" | ST-YG |
| | 11517 | Straight stand pipe ø 8 (screw coupling) 1/4" | SST |
| | 06017 | Straight stand pipe ø10 (screw coupling) 1/4" | ST-YG |
| | 11617 | Straight stand pipe ø 10 (screw coupling) 1/4" | SST |
| | 06117 | Straight stand pipe ø 12 (screw coupling) 1/4" | ST-YG |
| | 11717 | Straight stand pipe ø 12 (screw coupling) 1/4" | SST |
| | 06217 | Straight stand pipe ø 8 (screw coupling + nut) 1/4" | ST-YG |
| | 06417 | Straight stand pipe ø 10 (screw coupling + nut) 1/4" | ST-YG |
| High pressure hose 3/8" with accessories | | | |
| <i>pos.</i> | <i>art.nr.</i> | <i>description (screw coupling)</i> | <i>material</i> |
| 5 | 327.22 | Straight stand pipe 1/4 NPT (crimp) 3/8" | ST-YG |
| | 325.22 | Straight stand pipe ø 10 (screw coupling) 3/8" | ST-YG |
| | 810.22 | Straight stand pipe ø 10 (crimp) 3/8" | SST |
| | 358.02 | Straight stand pipe ø 10 (screw coupling) 3/8" | ST-YG |
| | 541.02 | Straight stand pipe ø 10 (screw coupling) 3/8" | SST |
| | 326.22 | Straight stand pipe ø 12 (crimp) 3/8" | ST-YG |
| | 364.02 | Straight stand pipe ø 12 (screw coupling) 3/8" | ST-YG |
| | 542.02 | Straight stand pipe ø 12 (screw coupling) 3/8" | SST |
| | 332.22 | Straight stand pipe ø 15 (crimp) 3/8" | SST |
| | 648.02 | Elbow stand pipe + nut ø 10 (crimp) 3/8" | ST-YG |
| | 809.22 | Elbow stand pipe + nut ø 10 (crimp) 3/8" | SST |
| | F170783 | Elbow stand pipe + nut ø 12 (crimp) 3/8" | ST-YG |
| | F170784 | Straight stand pipe + nut ø 10 (crimp) 3/8" | ST-YG |
| | F170782 | Straight stand pipe + nut ø 12 (crimp) 3/8" | ST-YG |
| 6 | 359.02 | Screw socket 3/8" | ST-YG |
| | 544.02 | Screw socket 3/8" | SST |
| | 328.22 | Crimp socket 3/8" | ST-YG |
| 7 | 357.02 | H.P.H. ø 3/8" ID | |



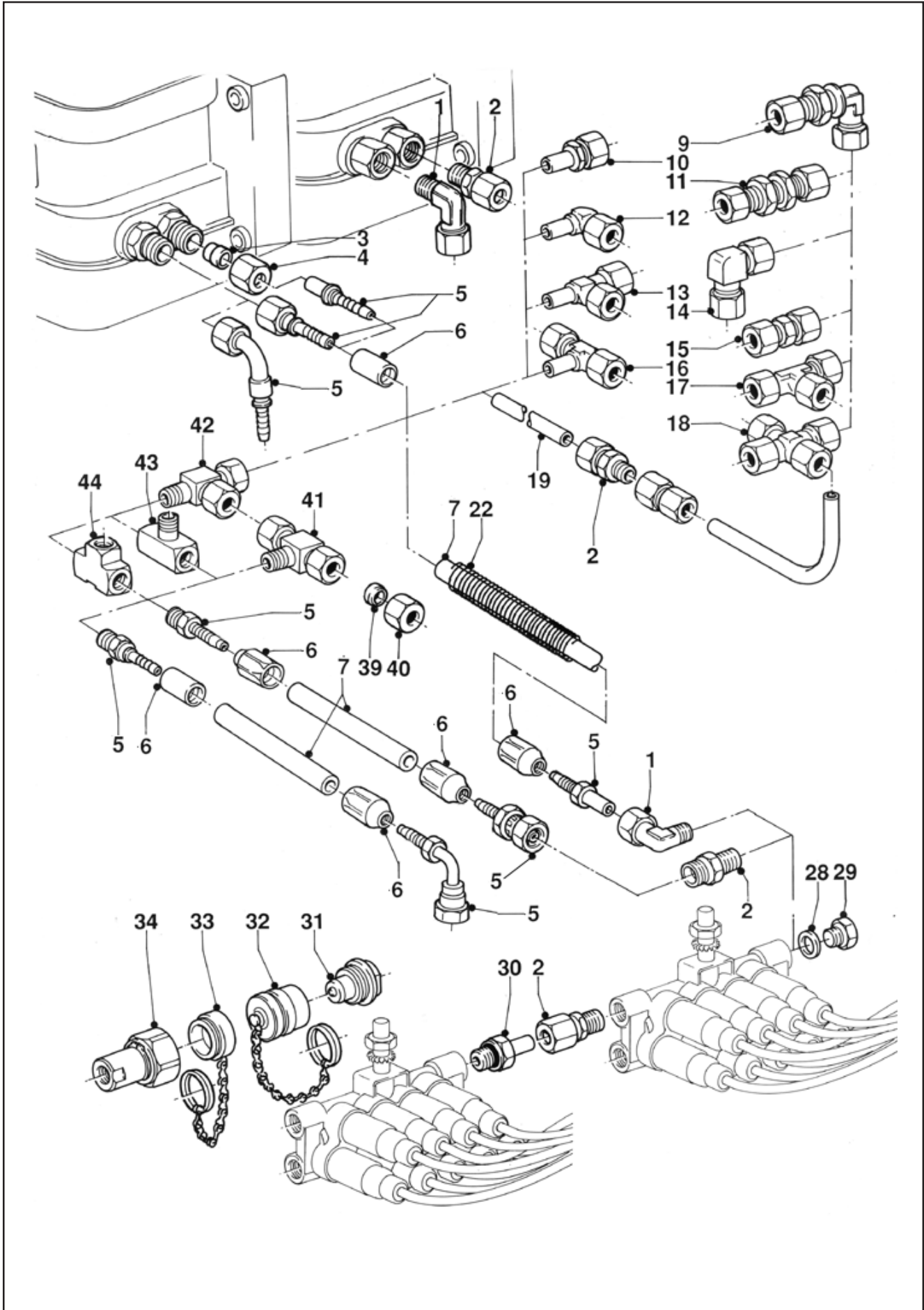
| High pressure hose teflon RVS 1/4" | | | |
|---|----------------|---|-----------------|
| <i>pos.</i> | <i>art.nr.</i> | <i>description</i> | <i>material</i> |
| 6 | 807.22 | Crimp socket teflon 1/4" | SST |
| 7 | 806.22 | H.P.H. Teflon 1/4" ID/8.7mm OD/250b | Teflon |
| High pressure hose 3/4" with accessories | | | |
| <i>pos.</i> | <i>art.nr.</i> | <i>description</i> | <i>material</i> |
| 5 | 788.22 | Straight stand pipe + nut 22 (crimp) 3/4" | ST-YG |
| | 789.22 | Straight stand pipe + nut 22 (crimp) 3/4" | SST |
| | 790.22 | Elbow stand pipe + nut 22mm (crimp) 3/4" | ST-YG |
| | 791.22 | Elbow stand pipe + nut 22mm (crimp) 3/4" | SST |
| 6 | 792.22 | Crimp socket 3/4" | ST-YG |
| | 793.22 | Crimp socket 3/4" | SST |
| 7 | 787.22 | H.P.H. 3/4" | |
| High pressure hose 1/2" with accessories | | | |
| <i>pos.</i> | <i>art.nr.</i> | <i>description</i> | <i>material</i> |
| 5 | 149.12 | Straight stand pipe 12mm (crimp) 1/2" | ST-YG |
| | 150.12 | Straight stand pipe 15mm (crimp) 1/2" | ST-YG |
| | 794.22 | Elbow stand pipe + nut 15mm (crimp) 1/2" | ST-YG |
| | 795.22 | Straight stand pipe + nut 15mm (crimp) 1/2" | ST-YG |
| 6 | 151.12 | Crimp socket for H.P.H. 14812 1/2" | ST-YG |
| 7 | 148.12 | H.P.H. 1/2" ID/22, 1mm OD/275 bar | |



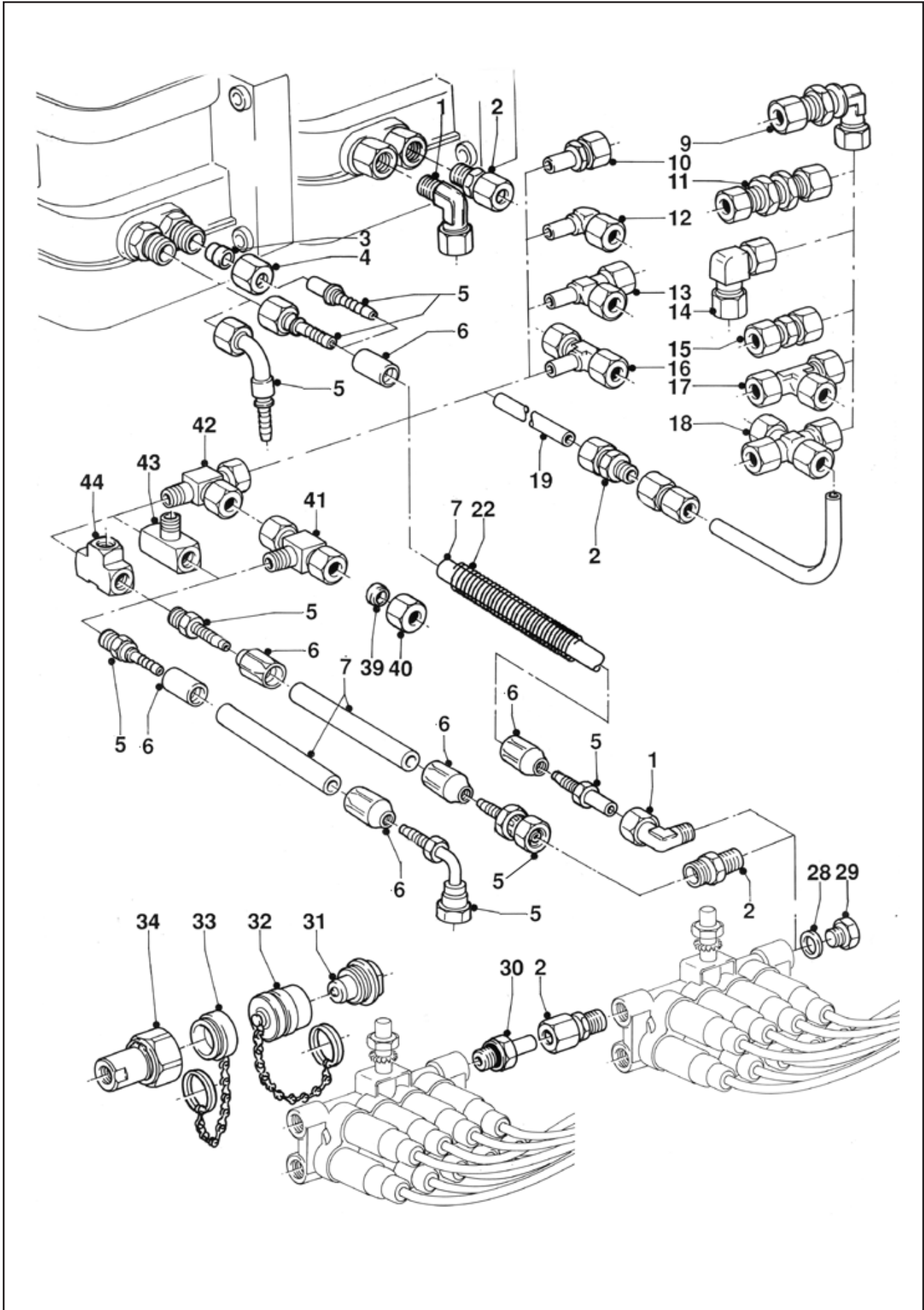
| Panel mount elbow union (ferrule) | | | |
|--|----------------|---|-----------------|
| <i>pos.</i> | <i>art.nr.</i> | <i>description</i> | <i>material</i> |
| 9 | 240.12 | Panel mount elbow union ø 6 | SST |
| | 223.01 | Panel mount elbow union ø 6 | ST-YG |
| | 461.02 | Panel mount elbow union ø 8 | ST-YG |
| | 480.02 | Panel mount elbow union ø 10 | ST-YG |
| | 588.02 | Panel mount elbow union ø 10 | SST |
| | 311.22 | Panel mount elbow union ø 15 | SST |
| Reducing adaptor straight (ferrule) | | | |
| <i>pos.</i> | <i>art.nr.</i> | <i>description</i> | <i>material</i> |
| 10 | 128.16 | Reducing adaptor ø 8 - ø 6 pre-assembled | ST-YG |
| | 629.22 | Reducing adaptor ø 10 - ø 1/4 | SST |
| | 616.02 | Reducing adaptor ø 10 - ø 15 | SST |
| | 127.16 | Reducing adaptor ø 10 - ø 6 pre-assembled | ST-YG |
| | 466.22 | Reducing adaptor ø 10 - ø 8 | SST |
| | 482.02 | Reducing adaptor ø 10 - ø 8 | ST-YG |
| | 612.02 | Reducing adaptor ø 12 - ø 10 | SST |
| | 504.02 | Reducing adaptor ø 12 - ø 10 | ST-YG |
| | 125.16 | Reducing adaptor ø 12 - ø 6 pre-assembled | ST-YG |
| | 880.02 | Reducing adaptor ø 12 - ø 8 | ST-YG |
| | 211.09 | Reducing adaptor ø 15 - ø 10 | ST-YG |
| | 313.22 | Reducing adaptor ø 15 - ø 12 | SST |
| | 212.09 | Reducing adaptor ø 15 - ø 12 | ST-YG |
| | 662.02 | Reducing adaptor ø 15 - ø 22 | ST-YG |
| | 210.09 | Reducing adaptor ø 15 - ø 8 | ST-YG |
| | 257.02 | Reducing adaptor ø 22 - ø 10 | ST-YG |
| | 467.02 | Reducing adaptor ø 22 - ø 12 | ST-YG |
| | 594.02 | Reducing adaptor ø 22 - ø 15 | SST |
| | 107.22 | Reducing adaptor ø 28 - ø 10 | SST |
| | 593.02 | Reducing adaptor ø 28 - ø 22 | SST |
| Panel mount union (ferrule) | | | |
| <i>pos.</i> | <i>art.nr.</i> | <i>description</i> | <i>material</i> |
| 11 | 532.22 | Panel mount union ø 6 | BR(L) |
| | 586.22 | Panel mount union ø 6 | SST |
| | 116.01 | Panel mount union ø 8 | BR |
| | 570.02 | Panel mount union ø 8 | SST |
| | 462.02 | Panel mount union ø 8 | ST-YG |
| | 589.02 | Panel mount union ø 10 | SST |
| | 481.02 | Panel mount union ø 10 | ST-YG |
| | 607.02 | Panel mount union ø 12 | SST |
| | 499.02 | Panel mount union ø 12 | ST-YG |
| | 310.22 | Panel mount union ø 15 | SST |
| | 253.08 | Panel mount union ø 15 | ST-YG |
| | 287.02 | Panel mount union ø 22 | ST-YG |



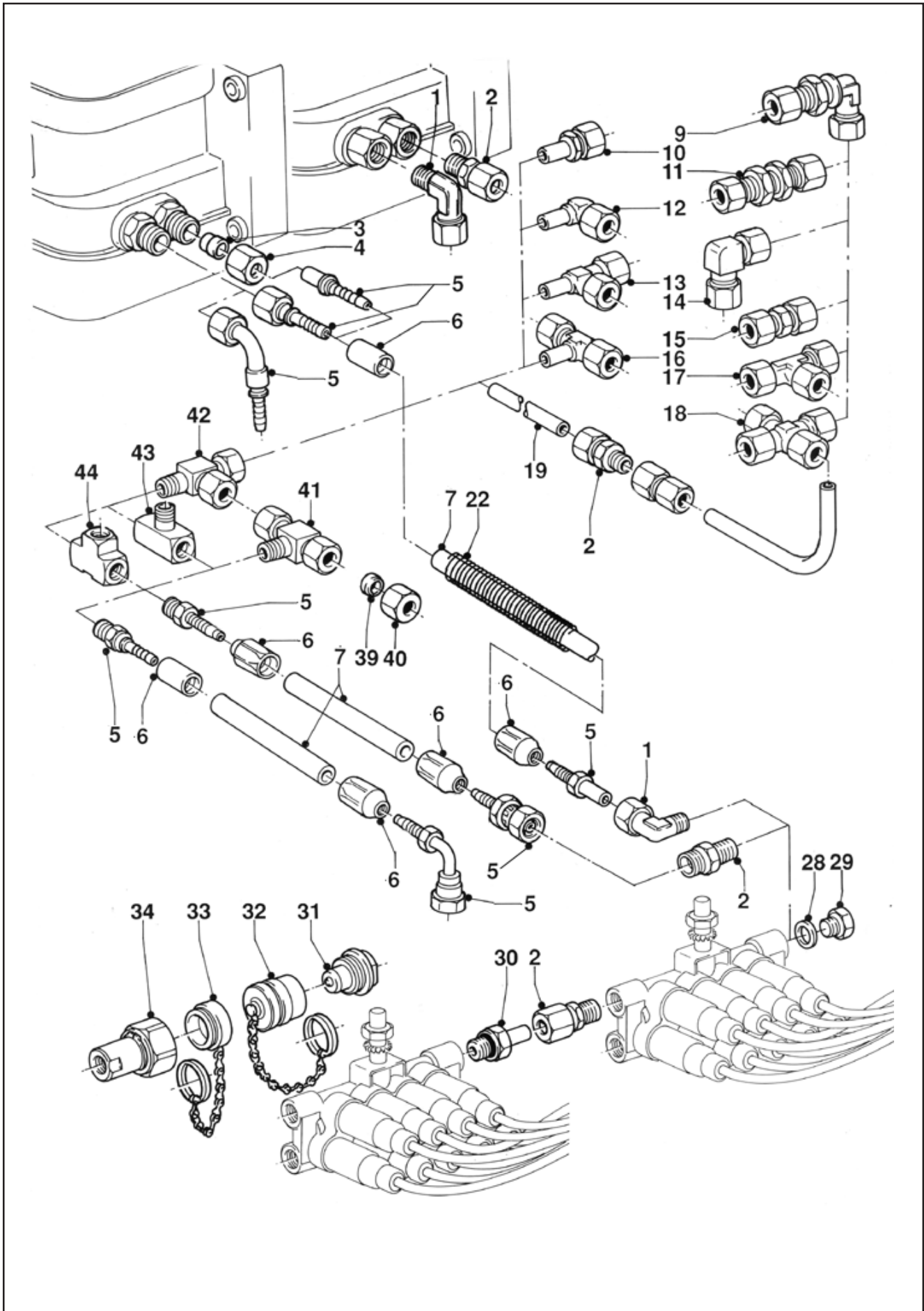
| Elbow swivel coupling (ferrule) | | | |
|--|----------------|--|-----------------|
| <i>pos.</i> | <i>art.nr.</i> | <i>description</i> | <i>material</i> |
| 12 | 094.16 | Elbow swivel coupling ø 6 | ST-YG |
| | 470.22 | Elbow swivel coupling ø 8 | SST |
| | 807.01 | Elbow swivel coupling ø 8 | ST-YG |
| | 471.22 | Elbow swivel coupling ø 10 | SST |
| | 808.01 | Elbow swivel coupling ø 10 | ST-YG |
| | 093.14 | Elbow swivel coupling ø 10-M16 | ST-YG |
| | 495.02 | Elbow swivel coupling ø 12 | ST-YG |
| | F170786 | Elbow swivel coupling ø 12 pre-assembled | ST-YG |
| | 252.08 | Elbow swivel coupling ø 15 | ST-YG |
| | 315.08 | Elbow swivel coupling ø 18 | ST-YG |
| L-swivel coupling (ferrule) | | | |
| <i>pos.</i> | <i>art.nr.</i> | <i>description</i> | <i>material</i> |
| 13 | 117.08 | L-swivel coupling ø 10 - ø 10 - ø 8 | ST-YG |
| | 115.16 | L-swivel coupling ø 6 | ST-YG |
| | 740.22 | L-swivel coupling ø 8 body | ST-YG |
| | 473.22 | L-swivel coupling ø 8 | SST |
| | 464.02 | L-swivel coupling ø 8 | ST-YG |
| | 102.08 | L-swivel coupling ø 8 pre-assembled | ST-YG |
| | 591.02 | L-swivel coupling ø 10 | SST |
| | 483.02 | L-swivel coupling ø 10 | ST-YG |
| | 484.02 | L-swivel coupling ø 12 | ST-YG |
| | 113.22 | L-swivel coupling ø 15 | ST-YG |
| Equal connecting elbow coupling (ferrule) | | | |
| <i>pos.</i> | <i>art.nr.</i> | <i>description</i> | <i>material</i> |
| 14 | 458.02 | Equal connecting elbow coupling ø 8 | ST-YG |
| | 566.02 | Equal connecting elbow coupling ø 8 | SST |
| | 477.02 | Equal connecting elbow coupling ø 10 | ST-YG |
| | 558.02 | Equal connecting elbow coupling ø 10 | SST |
| | 920.02 | Equal connecting elbow coupling ø 12 | ST-YG |
| | 610.02 | Equal connecting elbow coupling ø 12 | SST |
| | 243.08 | Equal connecting elbow coupling ø 15 | ST-YG |
| | 664.02 | Equal connecting elbow coupling ø 22 | ST-YG |



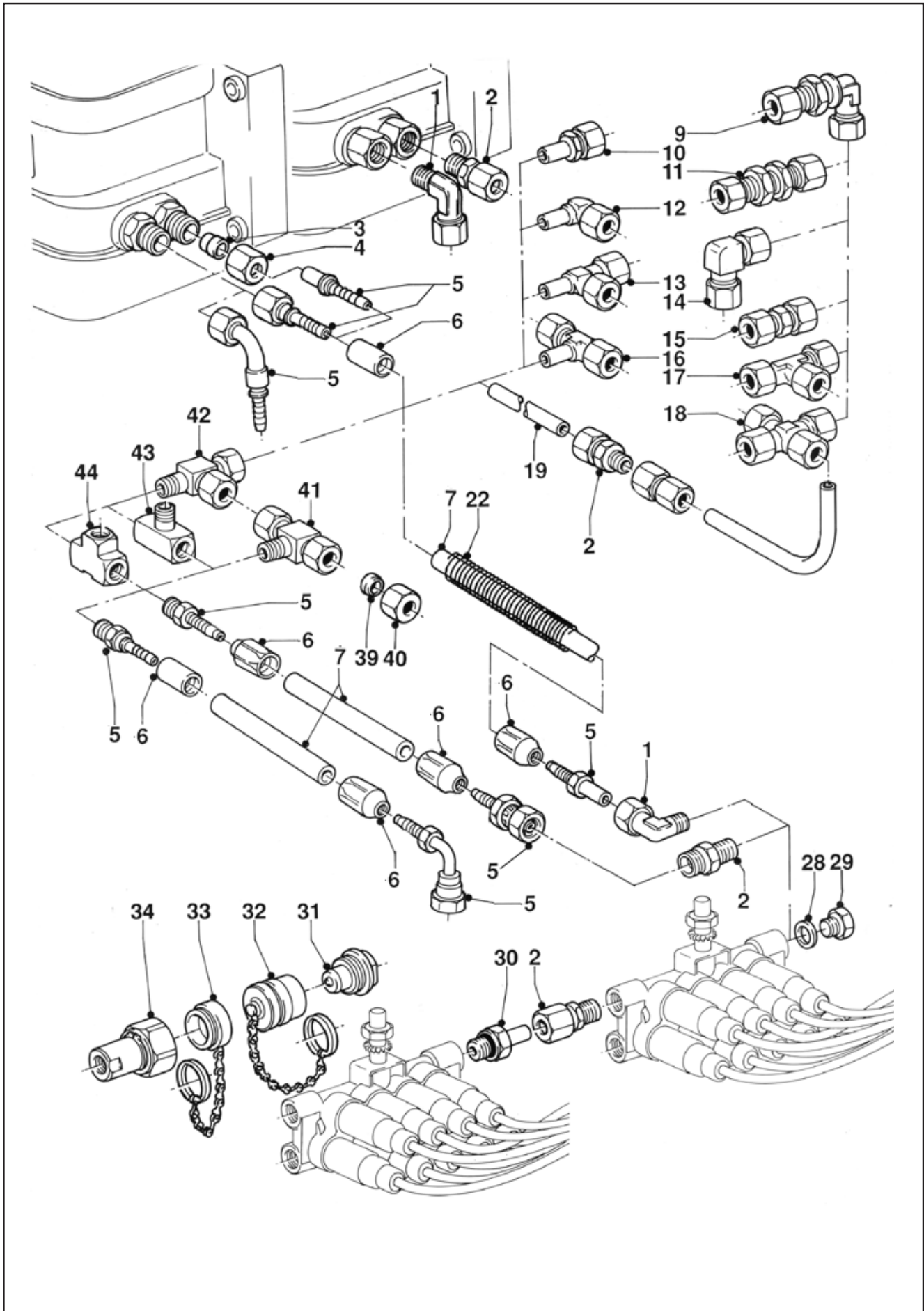
| Straight connecting coupling (ferrule) | | | |
|---|-------------------|--------------------------------------|-----------------|
| <i>pos.</i> | <i>art.nr.</i> | <i>description</i> | <i>material</i> |
| 15 | 565.02 | Straight connecting coupling ø 8 | SST |
| | 457.02 | Straight connecting coupling ø 8 | ST-YG |
| | 476.02 | Straight connecting coupling ø 10 | ST-YG |
| | 176.01 | Straight connecting coupling ø 10 | BR |
| | 584.02 | Straight connecting coupling ø 10 | SST |
| | 494.02 | Straight connecting coupling ø 12 | ST-YG |
| | 602.02 | Straight connecting coupling ø 12 | SST |
| | 242.08 | Straight connecting coupling ø 15 | ST-YG |
| | 617.02 | Straight connecting coupling ø 15 | SST |
| | 661.02 | Straight connecting coupling ø 22 | ST-YG |
| | 595.02 | Straight connecting coupling ø 22 | SST |
| | 115.01 | Straight connecting coupling ø 5/16" | BR |
| T-swivel coupling (ferrule) | | | |
| <i>pos.</i> | <i>art.nr.</i> | <i>description</i> | <i>material</i> |
| 16 | 463.02 | T-swivel coupling ø 8 | SST |
| | 159.22 | T-swivel coupling ø 8 | ST-YG |
| | 590.02 | T-swivel coupling ø 10 | SST |
| | 809.01 | T-swivel coupling ø 10 | ST-YG |
| | 442.22 | T-swivel coupling ø 10 pre-assembled | ST-YG |
| | 166.22 | T-swivel coupling ø 12 | ST-YG |
| T-equal coupling (ferrule) | | | |
| <i>pos.</i> | <i>artikelnr.</i> | <i>description</i> | <i>material</i> |
| 17 | 567.02 | T-equal coupling ø 8 | SST |
| | 459.02 | T-equal coupling ø 8 | ST-YG |
| | F171375 | T-equal coupling ø 8 body | ST-YG |
| | 426.02 | T-equal coupling ø 1/4" | BR |
| | 17701 | T-equal coupling ø 10 | BR |
| | 078.08 | T-equal coupling ø 10 | BR |
| | 586.02 | T-equal coupling ø 10 | SST |
| | 478.02 | T-equal coupling ø 10 | ST-YG |
| | 604.02 | T-equal coupling ø 12 | SST |
| | 496.02 | T-equal coupling ø 12 | ST-YG |
| | 147.12 | T-equal coupling ø 12 - ø 8 - ø 12 | ST-YG |
| | 615.02 | T-equal coupling ø 15 | SST |
| | 306.08 | T-equal coupling ø 15 | ST-YG |
| | 105.22 | T-equal coupling ø 22mm | SST |
| | 663.02 | T-equal coupling ø 22mm | ST-YG |
| | 118.01 | T-equal coupling ø 5/16" | BR |



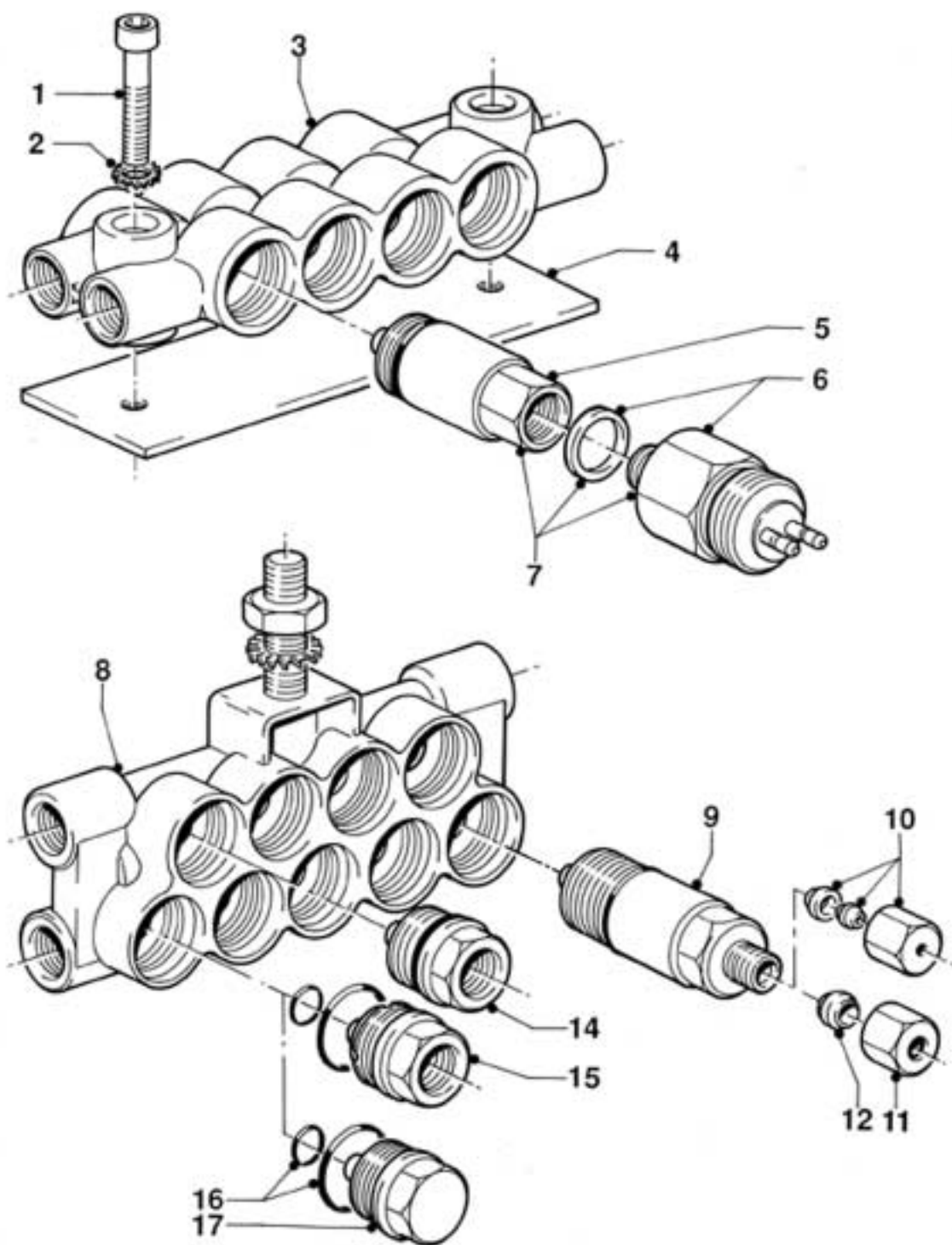
| Cross union coupling (ferrule) | | | |
|---------------------------------------|----------------|-----------------------------|-----------------|
| <i>pos.</i> | <i>art.nr.</i> | <i>description</i> | <i>material</i> |
| 18 | 117.01 | Cross union coupling ø 8 | BR |
| | 460.02 | Cross union coupling ø 8 | ST-YG |
| | 479.02 | Cross union coupling ø 10 | ST-YG |
| | 497.02 | Cross union coupling ø 12 | ST-YG |
| Pipe | | | |
| <i>pos.</i> | <i>art.nr.</i> | <i>description</i> | <i>material</i> |
| 19 | 333.02 | Pipe ø 8 | SST |
| | 320.02 | Pipe ø 8 | ST-YG |
| | 317.02 | Pipe ø 10 | kunifer |
| | 334.02 | Pipe ø 10 | SST |
| | 321.02 | Pipe ø 10 | ST-YG |
| | 510.22 | Pipe ø 10 4mtr | ST-YG |
| | 214.12 | Pipe ø 10x50mm | ST-YG |
| | 172.01 | Pipe ø 10x5mm | ST-YG |
| | 652.22 | Pipe ø 10x6 2500mm | ST-YG |
| | 653.22 | Pipe ø 10x6 3000mm | ST-YG |
| | 246.22 | Pipe ø 10x6 800mm | ST-YG |
| | 245.22 | Pipe ø 10x8 650mm | ST-YG |
| | 335.02 | Pipe ø 12 | SST |
| | 322.02 | Pipe ø 12 | ST-YG |
| | 336.02 | Pipe ø 15 | SST |
| | 323.02 | Pipe ø 15 | ST-YG |
| | 256.02 | Pipe ø 22 | SST |
| | 326.02 | Pipe ø 22 | ST-YG |
| | 316.02 | Pipe ø 5/16" | kunifer |
| | 103.12 | Pipe G1/8x ø 10x1750mm | ST-YG |
| | 254.22 | Pipe G1/8x ø 10x1900mm | ST-YG |
| Protection spiral | | | |
| <i>pos.</i> | <i>art.nr.</i> | <i>description</i> | <i>material</i> |
| 22 | 369.02 | Protection spiral ø 23 | ST-G |
| | 749.22 | Protection spiral ø 13,9 ID | ST-G |



| Sealing ring | | | |
|--|----------------|--|-----------------|
| <i>pos.</i> | <i>art.nr.</i> | <i>description</i> | <i>material</i> |
| 28 | 318.01 | Sealing ring | BR |
| | 839.01 | Sealing ring | BR |
| Threaded plug | | | |
| <i>pos.</i> | <i>art.nr.</i> | <i>description</i> | <i>material</i> |
| 29 | 127.01 | Threaded plug R1/4 | BR |
| | 114.02 | Threaded plug R1/4 | SST |
| | 329.01 | Threaded plug R1/4 | BR |
| | 442.01 | Threaded plug R1/4 (O-ring) | BR |
| Stud standpipe adaptor | | | |
| <i>pos.</i> | <i>art.nr.</i> | <i>description</i> | <i>material</i> |
| 30 | 504.01 | Stud standpipe adaptor 10 - 1/4 | ST-YG |
| Quick-disconnect coupling (screw) | | | |
| <i>pos.</i> | <i>art.nr.</i> | <i>description</i> | <i>material</i> |
| 31 | 801.01 | Quick-disconnect coupling (male) | ST-YG |
| 32 | 803.01 | Dust cap for 801.01 | |
| 33 | 802.01 | Dust cap for 800.01 | |
| 34 | 800.01 | Quick-disconnect coupling (female) | ST-YG |
| Quick-disconnect coupling (Pioneer) | | | |
| <i>pos.</i> | <i>art.nr.</i> | <i>description</i> | <i>material</i> |
| 31 | 619.02 | Quick-disconnect coupling (male) | ST-YG |
| 32 | 620.02 | Dust cap for 619.02 | ST-YG |
| 33 | 621.02 | Dust cap for 618.02 | ST-YG |
| 34 | 618.02 | Quick-disconnect coupling (female) | ST-YG |
| T-male stud coupling (ferrule) | | | |
| <i>pos.</i> | <i>art.nr.</i> | <i>description</i> | <i>material</i> |
| 41 | 467.22 | T-male stud coupling \varnothing 8 - 1/4 | SST |
| | 507.02 | T-male stud coupling \varnothing 8 - 1/4 NPT | ST-YG |
| | 726.22 | T-male stud coupling \varnothing 8 - 1/4 NPT body | ST-YG |
| | 592.02 | T-male stud coupling \varnothing 10 - 1/4 NPT | SST |
| | 508.02 | T-male stud coupling \varnothing 10 - 1/4 NPT | ST-YG |
| | 727.22 | T-male stud coupling \varnothing 10 - 1/4 NPT body | ST-YG |
| | 642.22 | T-male stud coupling \varnothing 12 - 1/4 NPT | ST-YG |
| | 146.12 | T-male stud coupling \varnothing 12 - 1/4 NPT | ST-YG |
| L-male stud coupling (ferrule) | | | |
| <i>pos.</i> | <i>art.nr.</i> | <i>description</i> | <i>material</i> |
| 42 | 469.22 | L-male stud coupling \varnothing 8 - 1/4 | SST |
| | 724.22 | L-male stud coupling \varnothing 8 - 1/4 NPT body | ST-YG |
| | 502.02 | L-male stud coupling \varnothing 10 - 1/4 NPTF | SST |
| | 109.22 | L-male stud coupling \varnothing 10 - 1/4 NPTF | SST |
| | 468.22 | L-male stud coupling \varnothing 10 - 1/4 | SST |
| | 725.22 | L-male stud coupling \varnothing 10 - 1/4 NPT body | ST-YG |

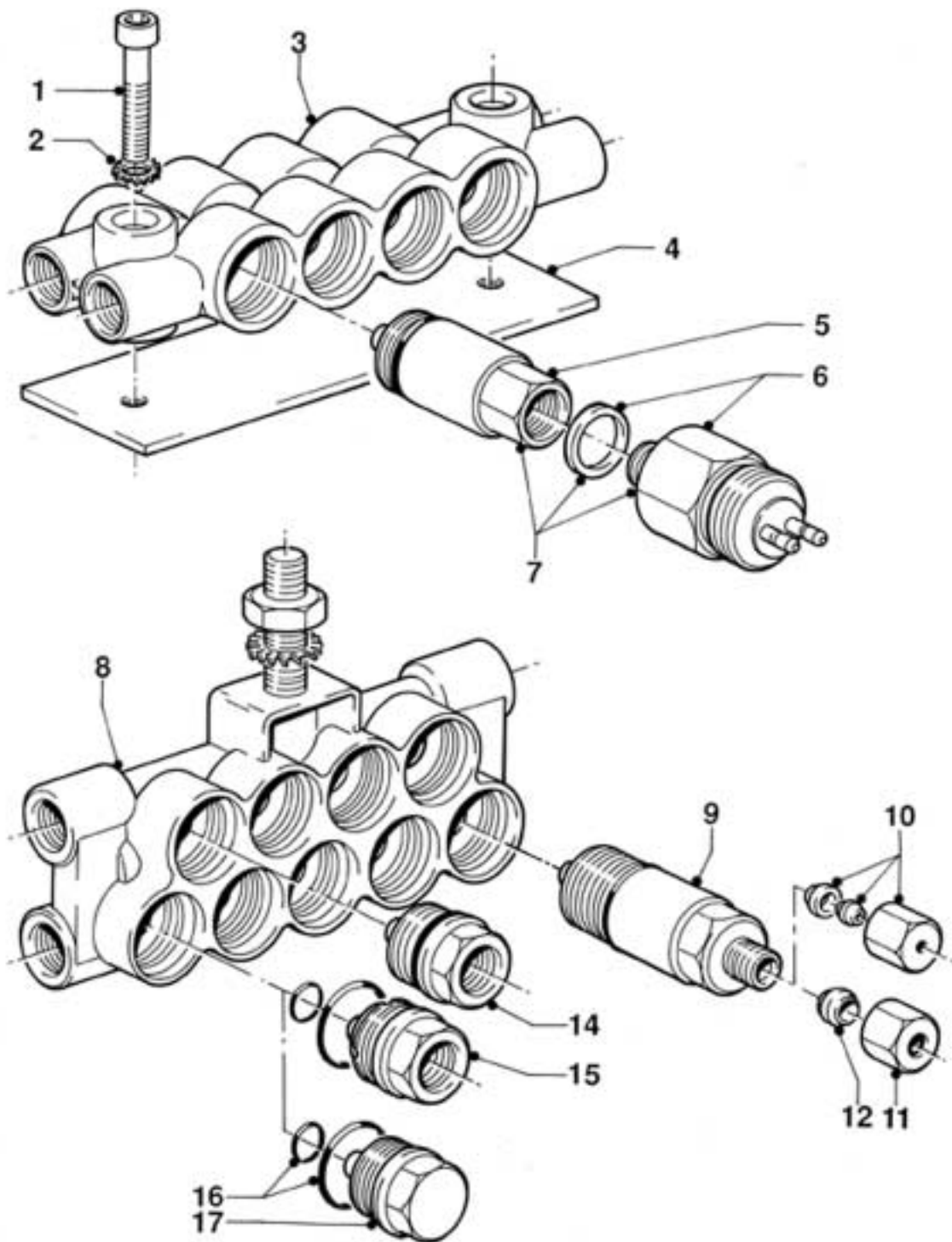


| T-threaded coupling | | | | | |
|----------------------------|----------------|---------------|--------------------|---------------|-----------------|
| <i>pos.</i> | <i>art.nr.</i> | <i>size A</i> | <i>size B</i> | <i>size C</i> | <i>material</i> |
| 43 | 440.01 | 1/4 NPT | 1/4 (O-ring + nut) | 1/4 NPT | BR |
| | 240.01 | 1/4 NPT | 1/4 NPT | 1/4 NPT | BR |
| T-threaded coupling | | | | | |
| <i>pos.</i> | <i>art.nr.</i> | <i>size A</i> | <i>size B</i> | <i>size C</i> | <i>material</i> |
| 44 | 087.08 | 1/8 NPT | 1/8 NPT | 1/8 NPT | BR |
| | 088.08 | 1/4 NPT | 1/4 NPT | 1/4 NPT | BR |

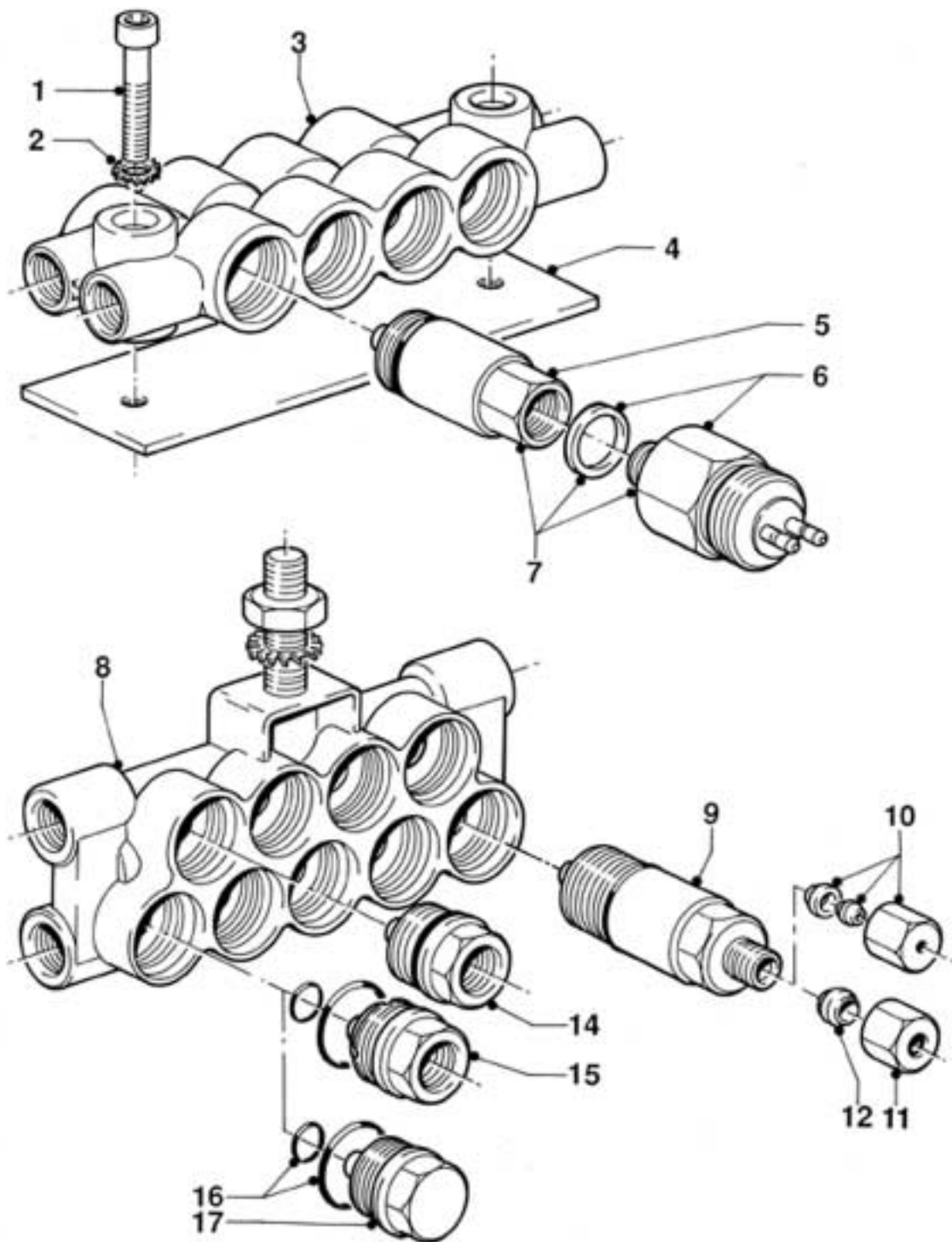


4 - METERING UNITS

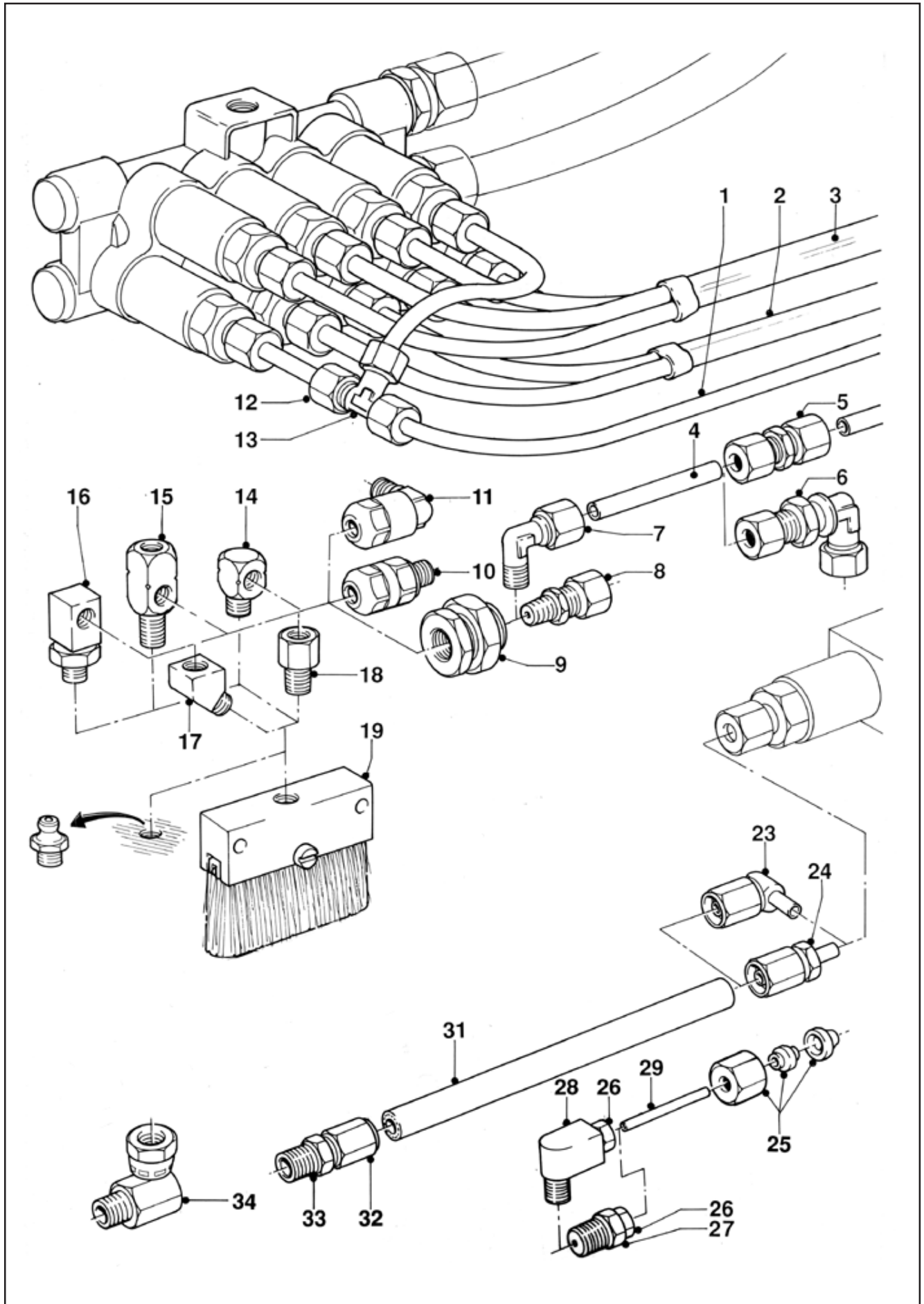
| Metering units | | | |
|----------------|---------------|---------------------------------|-----------------|
| <i>pos</i> | <i>art.nr</i> | <i>description</i> | <i>material</i> |
| 1 | 126.030 | Allen bolt M6 x 30 | ST-G |
| | 136.030 | Allen bolt M6 x 30 | SST |
| 2 | 092.02 | Serrated lock washer 6,4 | ST-G |
| | 350.006 | Spring washer 6,1 | SST |
| 3 | 432.22 | 2 Port block flat | SST |
| | 433.22 | 3 Port block flat | SST |
| | 434.22 | 4 Port block flat | SST |
| | 435.22 | 6 Port block flat | SST |
| | 436.22 | 2+2 Port block flat | SST |
| | 437.22 | 3+3 Port block flat | SST |
| | 438.22 | 4+4 Port block flat | SST |
| | 439.22 | 6+6 Port block flat | SST |
| | 705.01 | 8 Port block flat | BR |
| | 729.01 | 2 Port block flat | BR |
| | 750.01 | 3 Port block flat | BR |
| | 755.01 | 2+2 Port block flat | BR |
| | 756.01 | 6 Port block flat | BR |
| | 767.01 | 3+3 Port block flat | BR |
| | 771.01 | 4 Port block flat | BR |
| | 772.01 | 4+4 Port block flat | BR |
| | 793.01 | 6+6 Port block flat | BR |
| | 964.01 | 10+10 Port block flat | BR |
| | 068.17 | 5 Port block flat | BR |
| | 524.22 | 8 Port block flat | SST |
| 4 | 089.17 | Mounting plate 5 port block | ST |
| | 810.01 | Mounting plate 2 port block | ST |
| | 811.01 | Mounting plate 3 port block | ST |
| | 812.01 | Mounting plate 4 port block | ST |
| | 813.01 | Mounting plate 6 port block | ST |
| | 814.01 | Mounting plate 8 port block | ST |
| | 815.01 | Mounting plate 2+2 port block | ST |
| | 816.01 | Mounting plate 3+3 port block | ST |
| | 817.01 | Mounting plate 4+4 port block | ST |
| | 818.01 | Mounting plate 6+6 port block | ST |
| 5 | 666.01 | Pressure switch valve | BR |
| | 914.01 | Pressure switch valve | SST |
| 6 | 664.01 | Pressure switch 125bar (loose) | BR |
| | 665.01 | Pressure switch 150bar (loose) | BR |
| | 728.01 | Pressure switch 175bar (loose) | BR |
| | 766.01 | Pressure switch 100bar (loose) | BR |
| | 913.01 | Pressure switch 100bar (loose) | SST |
| 7 | 737.01 | Pressure switch 100bar complete | BR |
| | F170446 | Pressure switch 150bar complete | SST |
| | F115874 | Pressure switch 150bar complete | BR |
| | 143.17 | Pressure switch 250bar complete | BR |



| Metering units (continuation) | | | |
|--------------------------------------|---------------|---------------------------------|-----------------|
| <i>pos</i> | <i>art.nr</i> | <i>description</i> | <i>material</i> |
| 8 | 703.01 | 4 Port block M10 | BR |
| | F110628 | 4 Port block M10 without stud | BR |
| | 704.01 | 7 Port block M10 | BR |
| | 167.17 | 7 Port block M10 without stud | BR |
| | 025.17 | 9 Port block M10 | BR |
| | 726.01 | 9 Port block M10 | BR |
| | 080.11 | 9 Port block M10 without stud | BR |
| | 165.17 | 9 Port block M10 | BR |
| | 885.01 | 14 Port block M10 | BR |
| | 706.01 | 12 Port block M10 | BR |
| | 836.01 | 18 Port block M10 | BR |
| | 168.17 | 18 Port block M10 without stud | BR |
| | 166.17 | 18 Port block M10 | SST |
| | F115174 | 18 Port block M10 without stud | SST |
| | 995.01 | 21 Port block M10 | BR |
| | 141.17 | 21 Port block M10 without stud | BR |
| | 202.17 | 22 Port block M10 | BR |
| | 210.17 | 22 Port block M10 without stud | BR |
| | 994.01 | 32 Port block M10 | BR |
| 9 | 100.17 | Metering unit 0/M22/5mm/crimp | BR |
| | 101.17 | Metering unit 1/M22/5mm/crimp | BR |
| | 102.17 | Metering unit 2/M22/5mm/crimp | BR |
| | 103.17 | Metering unit 3/M22/5mm/crimp | BR |
| | 104.17 | Metering unit 4/M22/5mm/crimp | BR |
| | 105.17 | Metering unit 8/M22/5mm/crimp | BR |
| | 194.17 | Metering unit 10/M22/6mm/crimp | SST |
| | 910.01 | Metering unit 10/M22/6mm/crimp | BR |
| | 423.22 | Metering unit 0/M22/6mm/crimp | SST |
| | 424.22 | Metering unit 1/M22/6mm/crimp | SST |
| | 425.22 | Metering unit 2/M22/6mm/crimp | SST |
| | 426.22 | Metering unit 3/M22/6mm/crimp | SST |
| | 427.22 | Metering unit 4/M22/6mm/crimp | SST |
| | 428.22 | Metering unit 6/M22/6mm/crimp | SST |
| | 429.22 | Metering unit 8/M22/6mm/crimp | SST |
| | 430.22 | Metering unit 8,5/M22/6mm/crimp | SST |
| | 431.22 | Metering unit 9/M22/6mm/crimp | SST |
| | 708.01 | Metering unit 1/M22/6mm/crimp | BR |
| | 709.01 | Metering unit 2/M22/6mm/crimp | BR |
| | 710.01 | Metering unit 3/M22/6mm/crimp | BR |
| | 711.01 | Metering unit 4/M22/6mm/crimp | BR |
| | 712.01 | Metering unit 8/M22/6mm/crimp | BR |
| | 727.01 | Metering unit 6/M22/6mm/crimp | BR |
| | 794.01 | Metering unit 0/M22/6mm/crimp | BR |
| | 795.01 | Metering unit 8,5/M22/6mm/crimp | BR |
| | 796.01 | Metering unit 9/M22/6mm/crimp | BR |
| | 804.01 | Metering unit 5/M22/6mm/crimp | BR |
| | 805.01 | Metering unit 7/M22/6mm/crimp | BR |

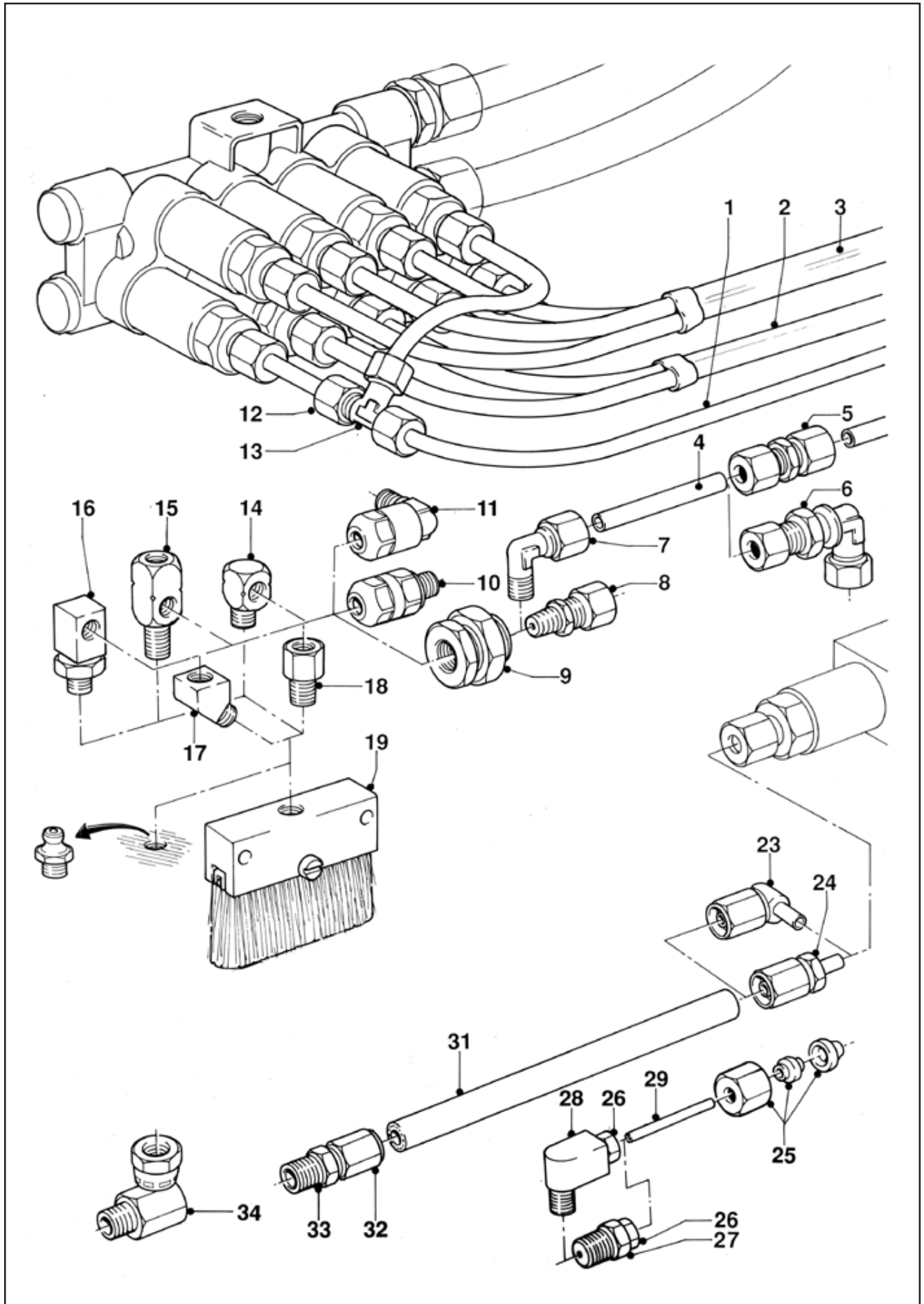


| Metering units (continuation) | | | |
|--------------------------------------|----------------|--------------------------------|-----------------|
| <i>pos.</i> | <i>art.nr.</i> | <i>description</i> | <i>material</i> |
| 10 | 899.01 | Reduction set Ø6mm - Ø1/8" | BR |
| 11 | 089.08 | Nut Ø6mm/M10x1/ST | BR |
| | 147.17 | Nut Ø6mm/M10x1/ST | SST |
| 12 | 098.08 | Ferrule Ø6mm | BR |
| | 146.17 | Ferrule Ø6mm | SST |
| 14 | 837.01 | Reduction adaptor M22-1/4/Z.U. | BR |
| | 917.01 | Reduction adaptor M22-1/4/Z.U. | SST |
| 15 | 838.01 | Reduction adaptor M22-1/4/O.U. | BR |
| | 916.01 | Reduction adaptor M22-1/4/O.U. | SST |
| 16 | 029.17 | O-ring 106 (6,75x1,78) 90g | rubber |
| | 030.17 | O-ring 2075 (18.77x1.78) 90g | rubber |
| 17 | 707.01 | Shutt-off plug M22x1 | BR |
| | 915.01 | Shutt-off plug M22x1 | SST |

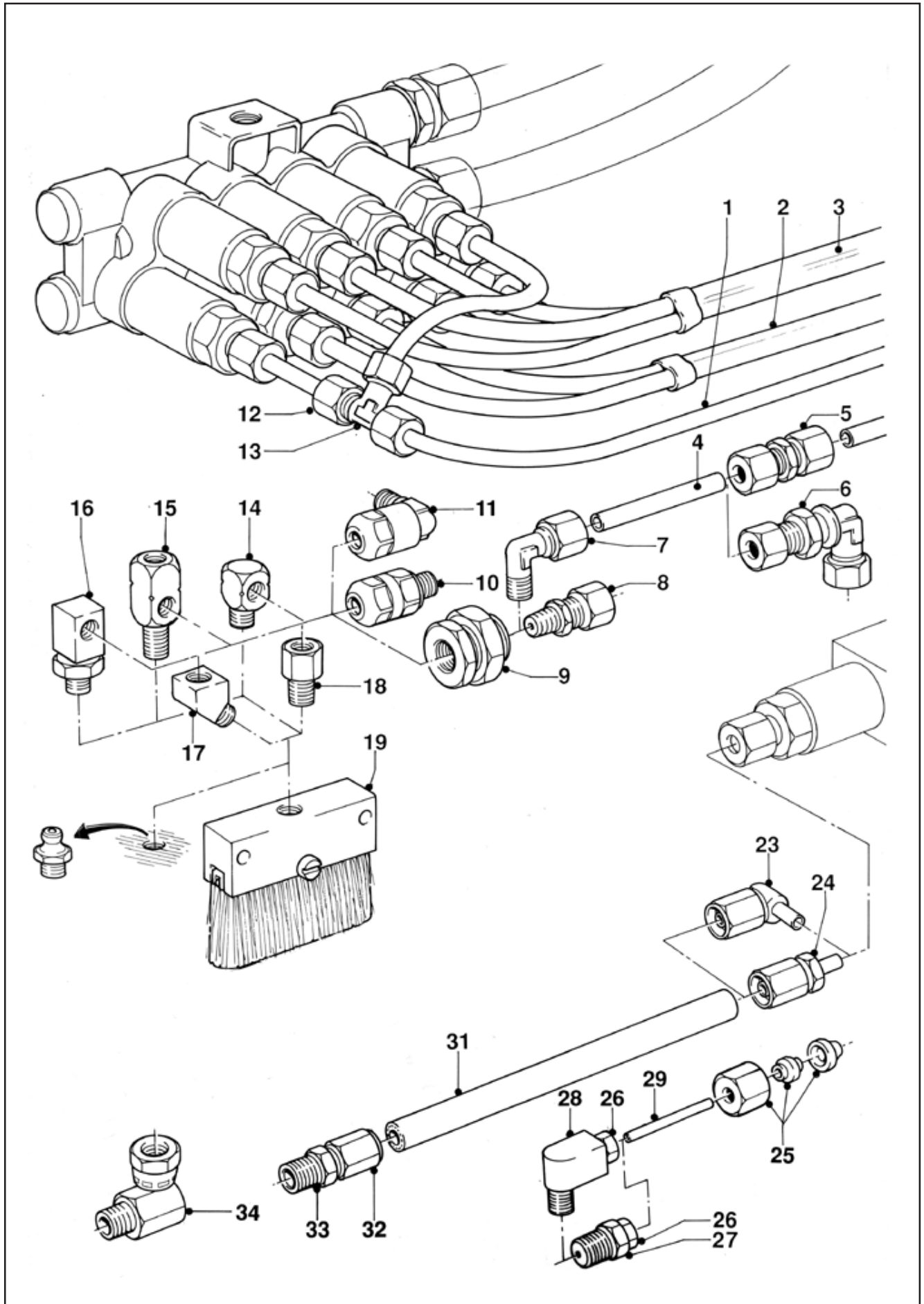


5 - SECONDARY TUBES

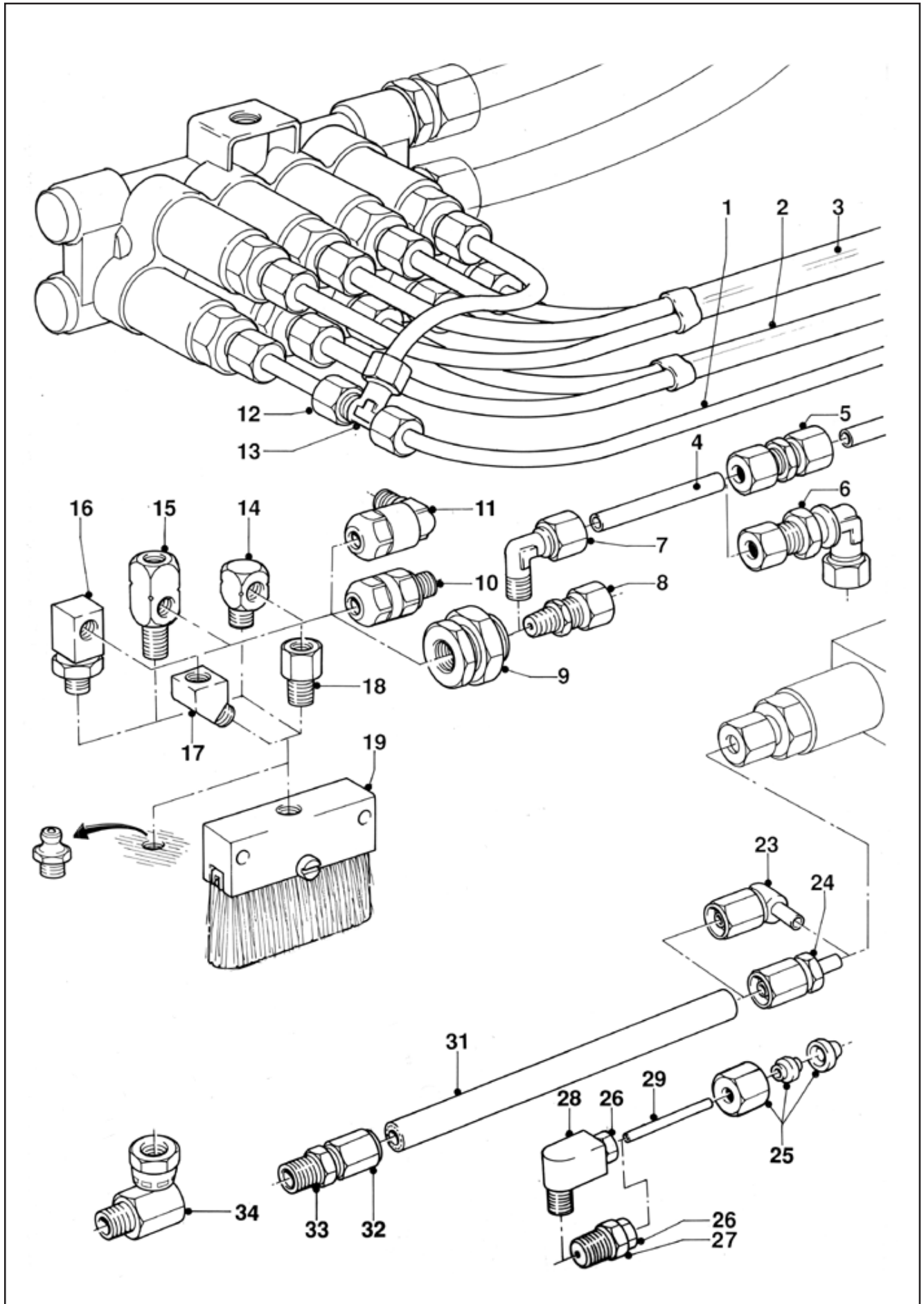
| Grease pipe, synthetic, single | | | |
|---------------------------------------|---------------|--|-----------------|
| <i>pos.</i> | <i>art.nr</i> | <i>description</i> | <i>material</i> |
| 1 | 022.01 | Grease pipe, single, 3/16" (DIN 73378) | PA |
| | 022.11 | Grease pipe, single, 3/16" per 3m | PA |
| | 022.07 | Grease pipe, single, 3/16" per 5m | PA |
| | 729.22 | Grease pipe, single, 3/16" per mtr. (ex. grease) | PA |
| | 722.01 | Grease pipe, single, 6mm per 3m | PA |
| | 773.01 | Grease pipe, single, 6mm per m (6x1,5 mm) | PA |
| Grease pipe, synthetic, double | | | |
| <i>pos.</i> | <i>art.nr</i> | <i>description</i> | <i>material</i> |
| 2 | 023.01 | Grease pipe, double, 3/16" (DIN 73378) | PA |
| | 023.11 | Grease pipe, double, 3/16" per 3m | PA |
| | 023.17 | Grease pipe, double, 3/16" per 5m | PA |
| | 723.01 | Grease pipe, double, 6mm per 3m | PA |
| | 774.01 | Grease pipe, double, 6mm per m | PA |
| Grease pipe, synthetic, triple | | | |
| <i>pos.</i> | <i>art.nr</i> | <i>description</i> | <i>material</i> |
| 3 | 024.01 | Grease pipe, triple, 3/16" (DIN 73378) | PA |
| | 024.11 | Grease pipe, triple, 3/16" per 3m | PA |
| | 024.17 | Grease pipe, triple, 3/16" per 5m | PA |
| | 724.01 | Grease pipe, triple, 6mm per 3m | PA |
| | 775.01 | Grease pipe, triple, 6mm per m | PA |
| Grease pipe | | | |
| <i>pos.</i> | <i>art.nr</i> | <i>description</i> | <i>material</i> |
| 4 | 319.02 | Grease pipe 6 mm x 1 mm (DIN 2445/2) | ST-YG |
| | 331.02 | Grease pipe 6 mm x 1 mm (ASTM A-269) | SST |
| | 315.02 | Grease pipe 3/16" | Kunifer |
| | 328.02 | Grease pipe 3/16" x 0,035" (ASTM A-269) | SST |
| | 313.02 | Grease pipe Ø6 | BR |
| | 343.22 | Grease pipe Ø6 | Kunifer |
| | 330.02 | Grease pipe 1/8 | SST |



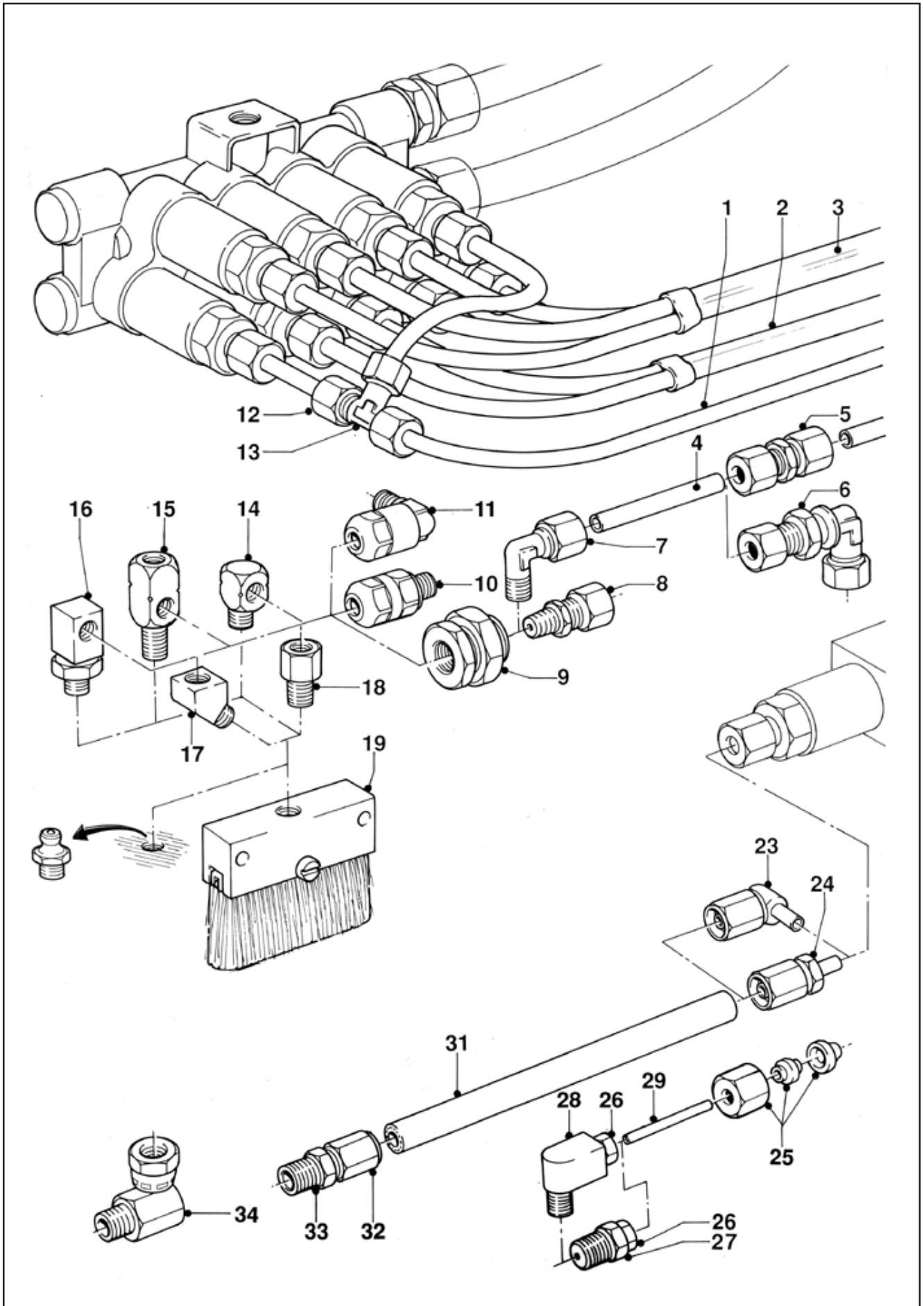
| Straight connecting coupling (ferrule) | | | | | |
|---|----------------|--|---------------|---------------|-----------------|
| <i>pos.</i> | <i>art.nr.</i> | <i>size A</i> | <i>size B</i> | <i>size C</i> | <i>material</i> |
| 5 | 083.08 | 6 | 6 | | BR |
| | 299.01 | 6 | 6 | | ST-YG |
| | 408.02 | 1/8" | 1/8" | | BR |
| | 106.01 | 3/16" | 3/16" | | BR |
| | 555.22 | 6 | 6 | | SST |
| Panel mount elbow union | | | | | |
| <i>pos.</i> | <i>art.nr.</i> | <i>description</i> | | | <i>material</i> |
| 6 | 240.12 | Panel mount elbow union 6mm | | | SST |
| | 223.01 | Panel mount elbow union 6mm | | | ST-YG |
| Male stud elbow (ferrule) | | | | | |
| <i>pos.</i> | <i>art.nr.</i> | <i>description</i> | | | <i>material</i> |
| 7 | 422.01 | Male stud elbow \varnothing 3/16 - 1/8 NPTF | | | BR |
| | 137.01 | Male stud elbow \varnothing 3/16 - M10x1 con | | | BR |
| | 121.01 | Male stud elbow \varnothing 3/16 - M8x1 | | | BR |
| | 187.01 | Male stud elbow \varnothing 3/16 - M8x1,5 | | | BR |
| | 102.01 | Male stud elbow \varnothing 3/16 - R1/8 NPT | | | BR |
| | 531.22 | Male stud elbow \varnothing 6 - 1/4 NPT | | | ST-YG |
| | 982.01 | Male stud elbow \varnothing 6 - 1/8 NPT | | | BR |
| | 559.02 | Male stud elbow \varnothing 6 - 1/8 NPT | | | SST |
| | 132.17 | Male stud elbow \varnothing 6 - M10x1 | | | BR |
| | 439.02 | Male stud elbow \varnothing 6 - M10x1 | | | ST-YG |
| | 436.02 | Male stud elbow \varnothing 6 - M6x1 | | | ST-YG |
| | 133.17 | Male stud elbow \varnothing 6 - M8x1 | | | BR |
| | 437.02 | Male stud elbow \varnothing 6 - M8x1 | | | ST-YG |
| | 082.08 | Male stud elbow \varnothing 6 - R1/4 | | | BR |
| | 562.02 | Male stud elbow \varnothing 6 - R1/4 | | | SST |
| | 080.08 | Male stud elbow \varnothing 6 - R1/8 | | | BR |
| | 438.02 | Male stud elbow \varnothing 6 - R1/8 | | | ST-YG |



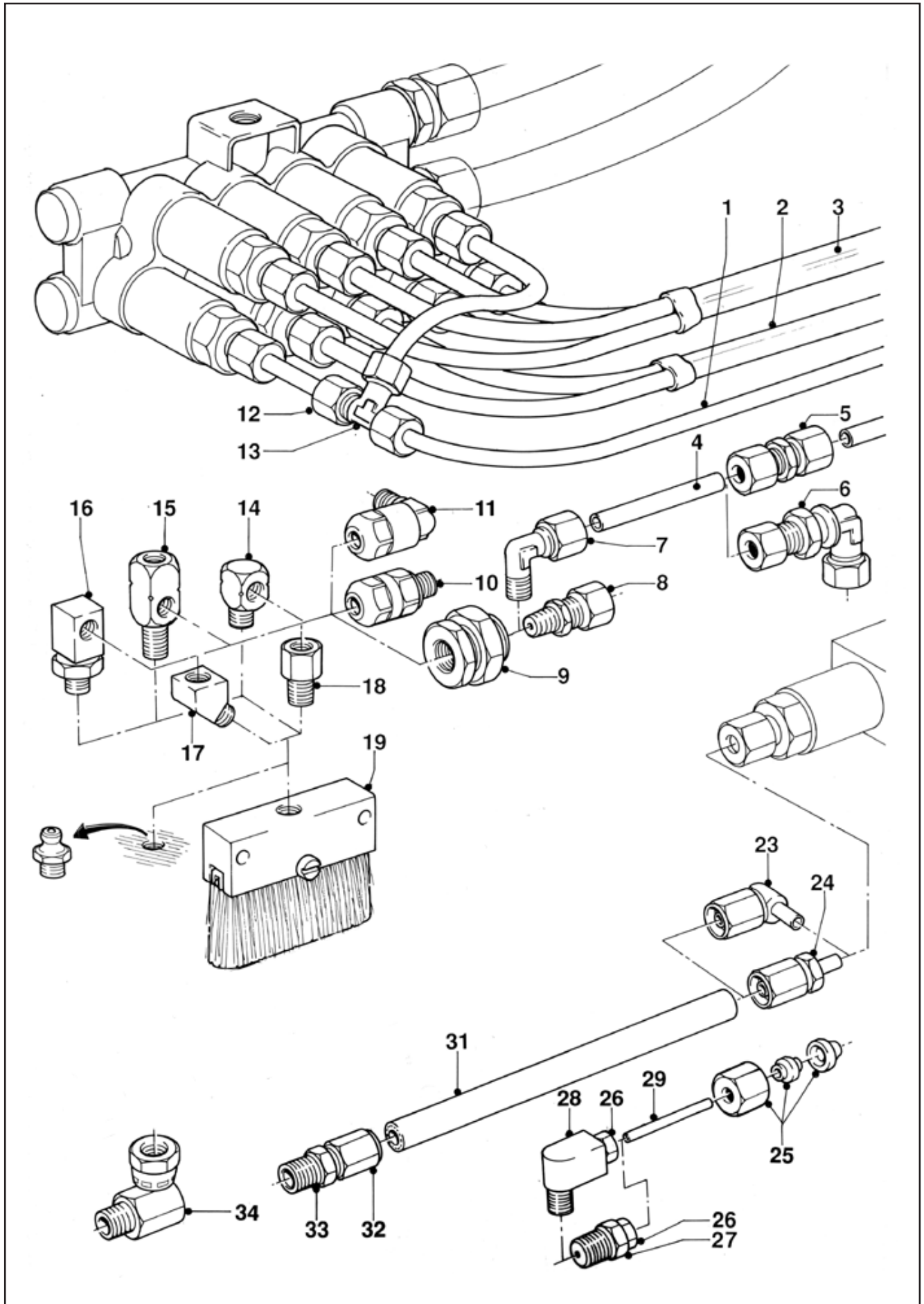
| Male stud coupling (ferrule) | | | |
|--|----------------|--|-----------------|
| <i>pos.</i> | <i>art.nr.</i> | <i>description</i> | <i>material</i> |
| 8 | 104.01 | Male stud coupling ø 3/16" - 1/8 | BR |
| | 421.01 | Male stud coupling ø 3/16" - 1/8 NPTR | BR |
| | 138.01 | Male stud coupling ø 3/16" - M10x1 con | BR |
| | 212.01 | Male stud coupling ø 3/16" - M6x1 con | ST-YG |
| | 657.01 | Male stud coupling ø 3/16" - M6x1 con | ST-YG(L) |
| | 101.01 | Male stud coupling ø 3/16" - M7x1 | BR |
| | 130.01 | Male stud coupling ø 3/16" - M8 | BR |
| | 219.01 | Male stud coupling ø 3/16" - M8x1 con | BR |
| | 235.01 | Male stud coupling ø 3/16" - M8x1 con | BR(L) |
| | 585.01 | Male stud coupling ø 3/16" - M8x1 con | ST-YG |
| | 166.01 | Male stud coupling ø 3/16" - M8x1,25 con | BR |
| | 188.01 | Male stud coupling ø 3/16" - M8x1,25 con | BR |
| | 414.02 | Male stud coupling ø 5 - M8 con | SST |
| | 413.02 | Male stud coupling ø 5 - R1/8 | SST |
| | 081.08 | Male stud coupling ø 6 - 1/4 | BR |
| | 530.22 | Male stud coupling ø 6 - 1/4 BSP | ST-YG(L) |
| | 079.08 | Male stud coupling ø 6 - 1/8 | BR |
| | 981.01 | Male stud coupling ø 6 - 1/8 | BR |
| | 148.17 | Male stud coupling ø 6 - 1/8 | SST |
| | 561.02 | Male stud coupling ø 6 - G1/4 | SST |
| | 987.02 | Male stud coupling ø 6 - G1/8 | SST |
| | 134.17 | Male stud coupling ø 6 - M10x1 | BR |
| | 578.02 | Male stud coupling ø 6 - M10x1 | SST |
| | 435.02 | Male stud coupling ø 6 - M10x1 | ST-YG |
| | 150.17 | Male stud coupling ø 6 - M6x1 short | ST-YG |
| | 840.01 | Male stud coupling ø 6 - M6x1 | BR |
| | 135.17 | Male stud coupling ø 6 - M6x1 | ST-YG |
| | 432.02 | Male stud coupling ø 6 - M6x1 | ST-YG |
| | 136.17 | Male stud coupling ø 6 - M8x1 | BR |
| | F170898 | Male stud coupling ø 6 - M8x1 | SST |
| | 433.02 | Male stud coupling ø 6 - M8x1 | ST-YG |
| | 434.02 | Male stud coupling ø 6 - R1/8 | ST-YG |
| Panel mount union (threaded coupling) | | | |
| <i>pos.</i> | <i>art.nr.</i> | <i>description</i> | <i>material</i> |
| 9 | 209.02 | Panel mount union M15 - G1/8 | BR |
| | 226.01 | Panel mount union M20 - G1/4 | BR |



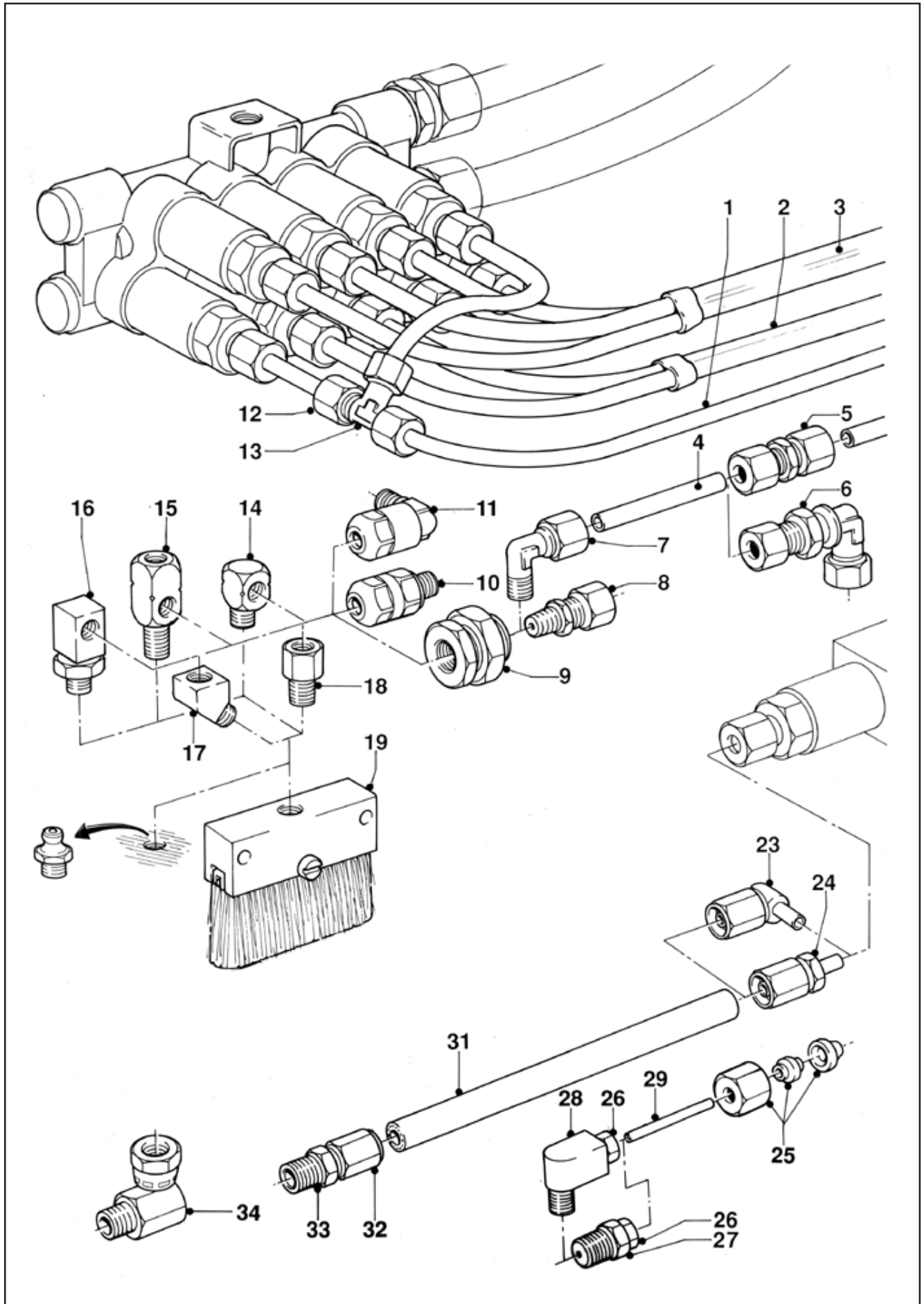
| Male plug-in coupling | | | |
|------------------------------|----------------|--|-----------------|
| <i>pos.</i> | <i>art.nr.</i> | <i>description</i> | <i>material</i> |
| 10 | 036.11 | Male plug-in coupling \varnothing 3/16 - 1/8 NPT | BR |
| | 922.01 | Male plug-in coupling \varnothing 3/16 - 1/8 - 27 NPTF | BR |
| | 105.01 | Male plug-in coupling \varnothing 3/16 - G1/8 | BR |
| | 035.11 | Male plug-in coupling \varnothing 3/16 - M8x1 | BR |
| | 758.01 | Male plug-in coupling \varnothing 3/16 - M8x1 | BR |
| | 759.01 | Male plug-in coupling \varnothing 3/16 - M10x1 | BR |
| | 085.16 | Male plug-in coupling \varnothing 3/16 - M6x1 | ST-YG |
| | 086.16 | Male plug-in coupling \varnothing 3/16 - M6x1 short | ST-YG |
| | 061.11 | Male plug-in coupling \varnothing 3/16 - R1/8 | BR |
| | 087.16 | Male plug-in coupling \varnothing 3/16 - R1/8 | ST-YG |
| | 587.22 | Male plug-in coupling \varnothing 4 - M6 | BR |
| | 194.01 | Male plug-in coupling \varnothing 6 - G1/8 | BR |
| | 886.01 | Male plug-in coupling \varnothing 6 - M6x1 | BR |
| Male plug-in elbow | | | |
| <i>pos.</i> | <i>art.nr.</i> | <i>description</i> | <i>material</i> |
| 11 | 037.11 | Male plug-in elbow \varnothing 3/16 - 1/8 NPT | BR |
| | 921.01 | Male plug-in elbow \varnothing 3/16 - 1/8 - 27 NPTF | BR |
| | 495.01 | Male plug-in elbow \varnothing 3/16 - M8x1 | BR |
| | 760.01 | Male plug-in elbow \varnothing 3/16 - M8x1 | BR |
| | 034.11 | Male plug-in elbow \varnothing 3/16 - M8x1 | BR |
| | 496.01 | Male plug-in elbow \varnothing 3/16 - M10x1 | BR |
| | 761.01 | Male plug-in elbow \varnothing 3/16 - M10x1 | BR |
| | 060.11 | Male plug-in elbow \varnothing 3/16 - R1/8 | BR |
| | 577.22 | Male plug-in elbow \varnothing 4 - M10 | BR |
| | 664.09 | Male plug-in elbow \varnothing 5 - G1/8 | BR |
| | 578.22 | Male plug-in elbow \varnothing 6 - 1/8 NPT | BR |
| | 191.01 | Male plug-in elbow \varnothing 6 - G1/8 | BR |
| | 170.33 | Male plug-in elbow \varnothing 6 - M5 | BR |
| | 079.04 | Male plug-in elbow \varnothing 6 - R1/8 | BR |



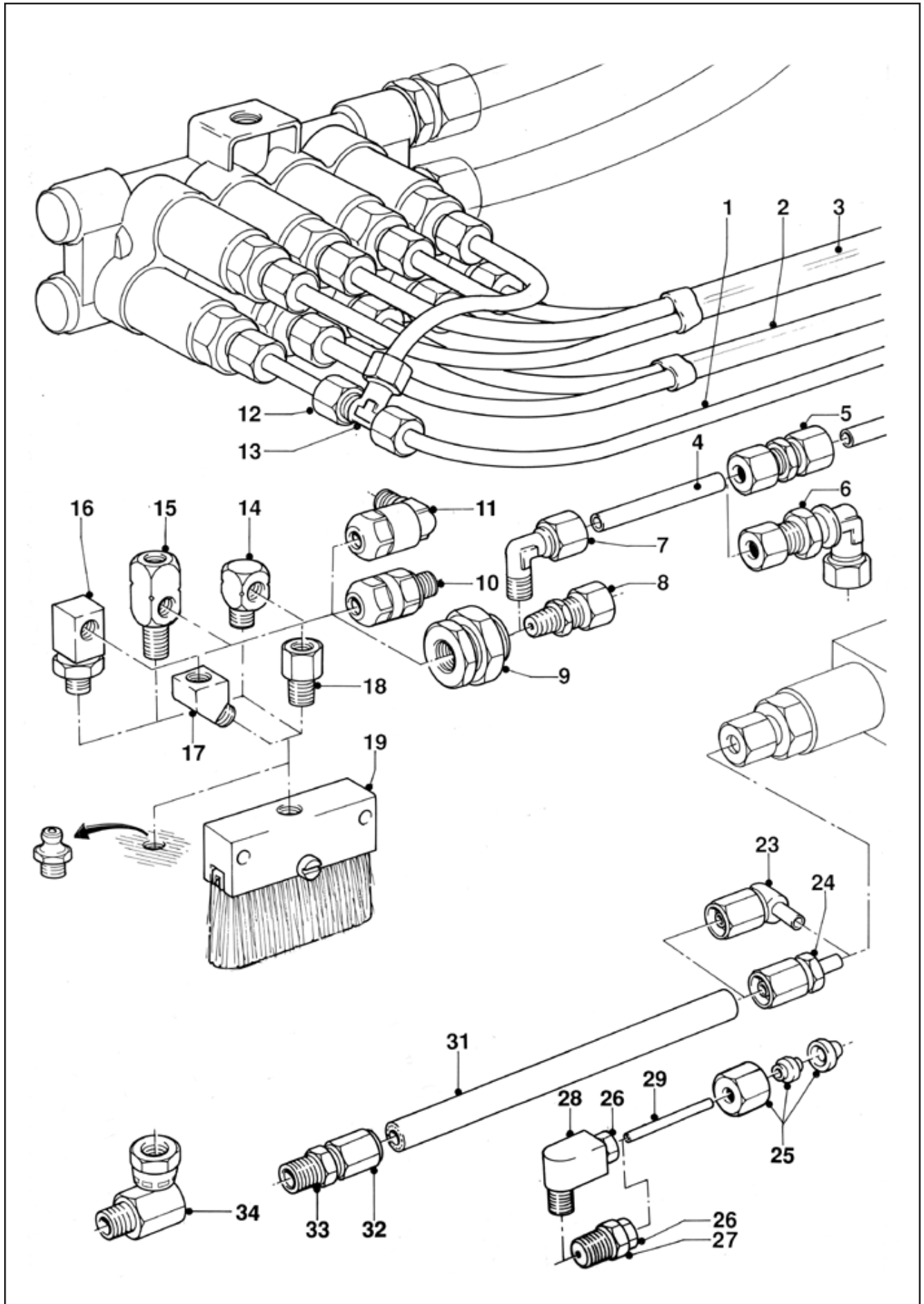
| Nut / Ferrule | | | | | |
|-----------------------------------|----------------|---------------|---------------|---------------|-----------------|
| <i>pos.</i> | <i>art.nr.</i> | <i>size A</i> | <i>size B</i> | <i>size C</i> | <i>material</i> |
| <i>Nut</i> | | | | | |
| 12 | 417.02 | 5 | M10x1 | | SST |
| | 170.02 | 6 | M10x1 | | ST-YG |
| | 157.01 | 3/16" | 3/8 UNF | | BR |
| | 107.01 | 3/16" | M10x1 | | BR |
| | 089.08 | 6 | M10x1 | | BR |
| | 013.16 | 6 | M12x1 | | ST-YG |
| <i>Single sided ferrule</i> | | | | | |
| 12 | 171.02 | 6 | | | ST-YG |
| | 429.02 | 6 | | | SST |
| | 158.01 | 3/16" | | | BR |
| | 537.22 | 5 | | | SST |
| <i>2-Sided ferrule</i> | | | | | |
| 12 | 098.08 | 6 | | | BR |
| | 108.01 | 3/16" | | | BR |
| | 418.02 | 3/16" | | | SST |
| T-equal coupling (ferrule) | | | | | |
| <i>pos.</i> | <i>art.nr.</i> | <i>size A</i> | <i>size B</i> | <i>size C</i> | <i>material</i> |
| 13 | 141.01 | 5 | 5 | | BR |
| | 446.02 | 5 | 5 | | SST |
| | 074.08 | 6 | 6 | | BR |
| | 560.02 | 6 | 6 | | SST |
| Male stud elbow | | | | | |
| <i>pos.</i> | <i>artnr.</i> | <i>size A</i> | <i>size B</i> | <i>size C</i> | <i>material</i> |
| 14 | 085.01 | 1/4 UNF | 1/8G | | ST-YG |
| | 021.01 | 1/4 UNF | 1/8G | | ST-YG |
| | 445.02 | 1/4 UNF | 1/8G | | SST |
| | 979.01 | 1/8 NPTF | 1/8 NPTF | | ST-YG |
| | 933.01 | 1/8 NPT. | 1/8 NPT | | ST-YG |
| | 633.02 | 1/8 NPT. | G1/8 | | SST |
| | 150.01 | G1/8 | G1/8 | | ST-YG |
| | 147.01 | M10x1 | M10x1 | | BR |
| | 151.11 | M10x1 | M10x1 | | BR |
| | 213.01 | M6x1 con | M8x1 | | ST-YG |
| | F170875 | M6x1 con | M8x1 | | SST |
| | 930.01 | M8x1,25 | M8x1,25 | | BR |
| | 055.11 | M8x1 | M8x1 | l=44 | ST-YG |
| | 412.01 | M8x1 con | M8x1 | | BR |
| | 415.02 | M8x1 con | M8 | | BR |
| | 148.01 | M8x1 con | M8x1 | | BR |
| | 983.01 | M8x1 con.L. | M8x1 | | ST-YG |
| | 827.01 | R1/4 | R1/4 | | ST-YG |
| | 062.11 | R1/8 | R1/8 | | ST-YG |



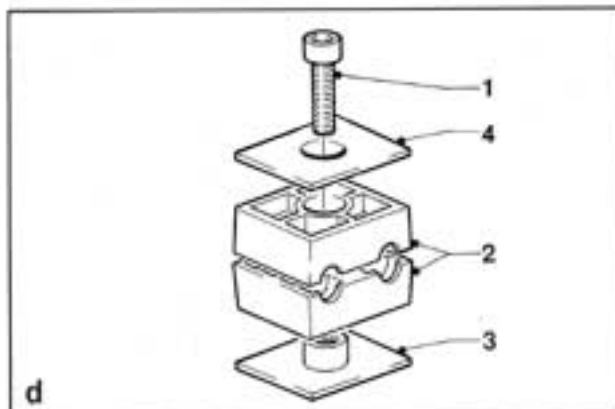
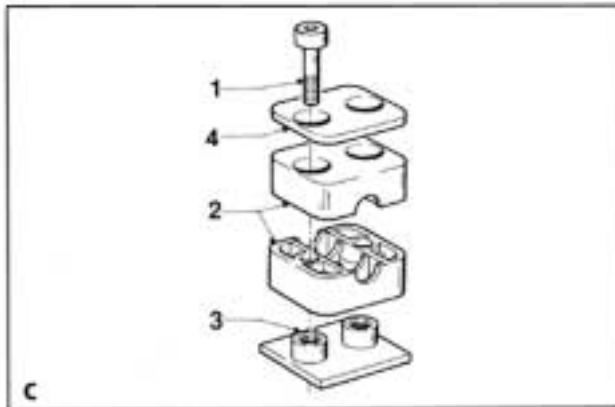
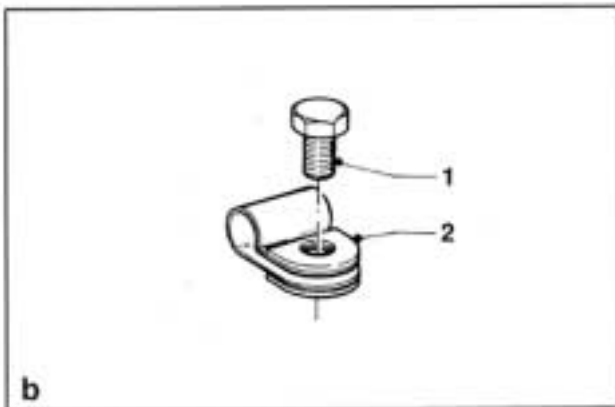
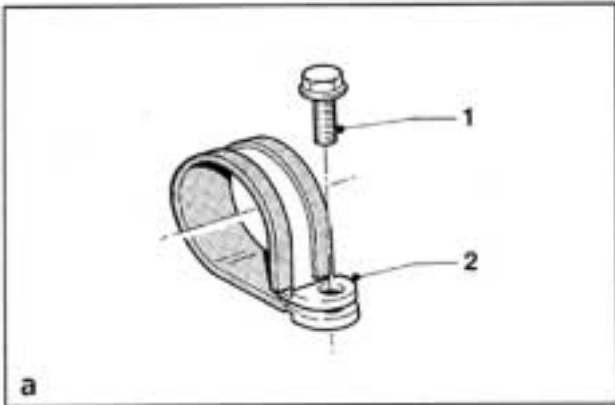
| L-connector female | | | | | |
|-----------------------------|----------------|---|---------------|---------------|----------------------|
| <i>pos.</i> | <i>art.nr.</i> | <i>size A</i> | <i>size B</i> | <i>size C</i> | <i>material</i> |
| 15 | 206.01 | M8x1 | M8x1 con | M8x1 | BR |
| | 239.01 | M10x1 | M10x1 con | M10x1 | BR |
| | 392.02 | G 1/8 | M8x1 | M8x1 | BR (right execution) |
| | 399.02 | G 1/8 | M8x1 | M8x1 | BR (left execution) |
| | 205.01 | G 1/8 | R 1/8 | G 1/8 | BR |
| Stud elbow rotatable | | | | | |
| <i>pos.</i> | <i>art.nr.</i> | <i>size A</i> | <i>size B</i> | <i>size C</i> | <i>material</i> |
| 16 | 214.01 | M8x1 con | M8x1 con | | BR |
| | 149.01 | G 1/8 | R 1/8 | | BR |
| | 635.02 | G 1/8 | R 1/8 | | ST-YG |
| | 643.02 | 10 | R 1/4 | | ST-YG |
| 45°-Male stud elbow | | | | | |
| <i>pos.</i> | <i>art.nr.</i> | <i>size A</i> | <i>size B</i> | <i>size C</i> | <i>material</i> |
| 17 | 139.01 | 1/8 - 27 NPT | 1/8 - 27 NPT | | BR |
| | 327.01 | 1/4" | 1/4" | | ST-YG |
| Reduction-adaptor | | | | | |
| <i>pos.</i> | <i>art.nr.</i> | <i>size A</i> | <i>size B</i> | <i>size C</i> | <i>material</i> |
| 18 | 811.22 | 1/4" | 1/4" NPT | | BR |
| | 641.02 | 1/4 - 18 NPT | 1/4 NPT | | ST-YG |
| | 029.01 | 1/4 - 18 NPT | 1/8 - 27 NPT | | BR |
| | 618.01 | 1/8 NPT | 1/4" G | L60mm | ST-YG |
| | 238.12 | 1/8 NPT | 1/4" G | 60 | SST |
| | F170988 | 1/8 | 1/8 | 80 | SST |
| | 640.02 | 1/8 | 27 NPTF | 1/8 NPT | ST-YG |
| | 980.01 | 1/8 NPTF | | 22mm | BR |
| | 333.01 | 1/8 NPTF | | 42mm | ST-YG |
| | 977.01 | 1/8 NPTF | | 70mm | ST-YG |
| | 152.01 | G1/8 | 1/4 | 28 UNF | BR |
| | F170989 | G1/8 | 1/4 | 28 UNF | SST |
| | 155.01 | G1/8 | M8x1 con | | BR |
| | 116.08 | G1/8 | R1/8 | 80 | BR |
| | 085.08 | G1/8 | R1/8 | | BR |
| | 632.02 | G1/8 | G1/4 | | ST-YG |
| | 129.22 | G1/8 | R1/8 | | ST-YG |
| | 444.02 | G1/8 | R1/8 | | SST |
| | 161.11 | M10x1 vst | | | ST-YG |
| | 479.01 | M10xM8 | | | ST-YG |
| | 156.01 | M8x1 | M8x1 con | | ST-YG |
| Grease brush | | | | | |
| <i>pos.</i> | <i>art.nr.</i> | <i>description</i> | | | <i>material</i> |
| 19 | 659.02 | Grease brush G 1/8, flat (5,5 cm wide) | | | |
| | 658.02 | Grease brush G 1/8, round (1,5 cm wide) | | | |
| | 660.02 | Grease brush G 1/8, round | | | phosphor bronze |



| Elbow stand pipe, canvas-hose 3/16" | | | | | |
|--|----------------|--|-----------------|---------------|------------------|
| <i>pos.</i> | <i>art.nr.</i> | <i>description</i> | <i>material</i> | | |
| 23 | 306.02 | Elbow stand pipe, 1/8" | ST-YG | | |
| | 448.01 | Elbow stand pipe, 3/16" | ST-YG | | |
| | 168.11 | Elbow stand pipe, 6mm | ST-YG | | |
| Straight stand pipe, canvas-hose 3/16" | | | | | |
| <i>pos.</i> | <i>art.nr.</i> | <i>description</i> | <i>material</i> | | |
| 24 | 307.02 | Straight stand pipe, 1/8" | ST-YG | | |
| | 447.01 | Straight stand pipe, 3/16" | ST-YG | | |
| | 167.11 | Straight stand pipe, 6mm | ST-YG | | |
| Reduction set | | | | | |
| <i>pos.</i> | <i>art.nr.</i> | <i>size A</i> | <i>size B</i> | <i>size C</i> | <i>material</i> |
| 25 | 427.01 | 3/16" | 4 | | BR |
| | 236.01 | 3/16" | 1/8" | | BR |
| Nut (feedline) | | | | | |
| <i>pos.</i> | <i>art.nr.</i> | <i>size A</i> | <i>size B</i> | <i>size C</i> | <i>material</i> |
| 26 | 411.02 | 1/8" | 1/8 NPT | | BR (feedline) |
| | 449.02 | 1/8" | 1/8 NPT | | SST (feedline) |
| Male stud coupling (feedline) inclusive nut | | | | | |
| <i>pos.</i> | <i>art.nr.</i> | <i>size A</i> | <i>size B</i> | <i>size C</i> | <i>material</i> |
| 27 | 403.02 | 1/8" | 1/4-28 NPT | | ST-YG (feedline) |
| | 404.02 | 1/8" | 5/16-32 NPT | | ST-YG (feedline) |
| | 405.02 | 1/8" | 1/8-27 NPT | | BR (feedline) |
| | 447.02 | 1/8" | 1/8-27 NPT | | SST (feedline) |
| Male stud elbow (feedline) inclusive nut | | | | | |
| <i>pos.</i> | <i>art.nr.</i> | <i>size A</i> | <i>size B</i> | <i>size C</i> | <i>material</i> |
| 28 | 400.02 | 1/8" | 1/4-28 NPT | | BR (feedline) |
| | 401.02 | 1/8" | 5/16-32 NPT | | BR (feedline) |
| | 402.02 | 1/8-27 NPT | 1/8 NPT | | BR (feedline) |
| | 448.02 | 1/8" | 1/8 NPT | | SST (feedline) |
| Feedline | | | | | |
| <i>pos.</i> | <i>art.nr.</i> | <i>description</i> | <i>material</i> | | |
| 29 | 300.02 | Grease pipe 1/8" x 0,022" | PA (feedline) | | |
| | 330.02 | Grease pipe 1/8" x 0,020" (ASTM A-269) | SST (feedline) | | |

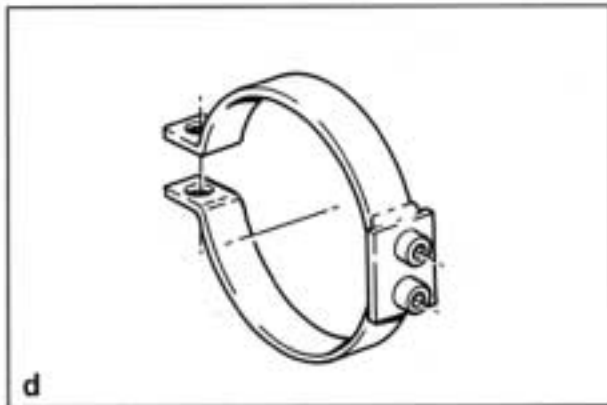
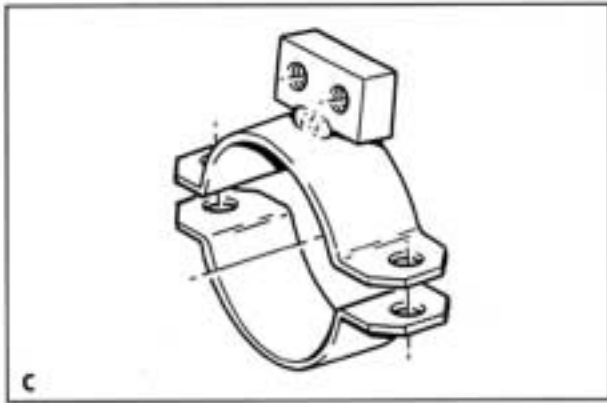
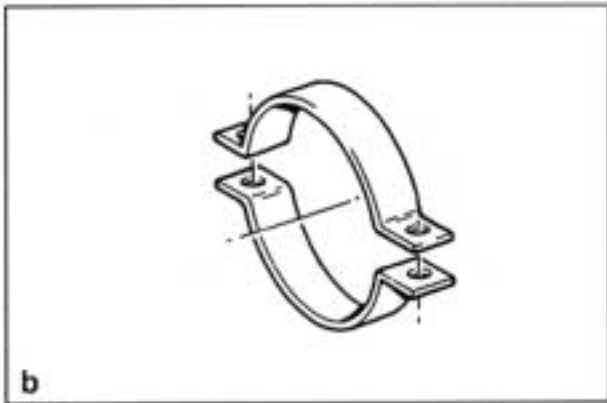
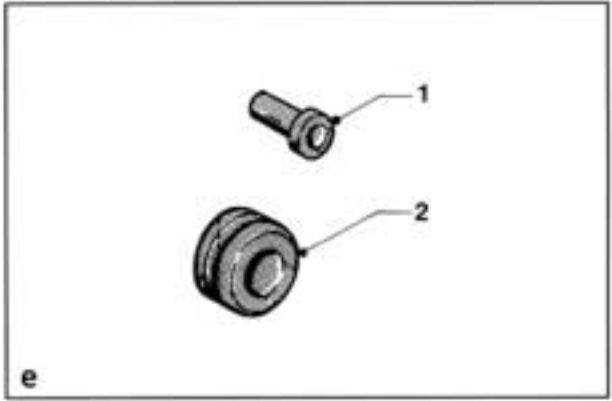
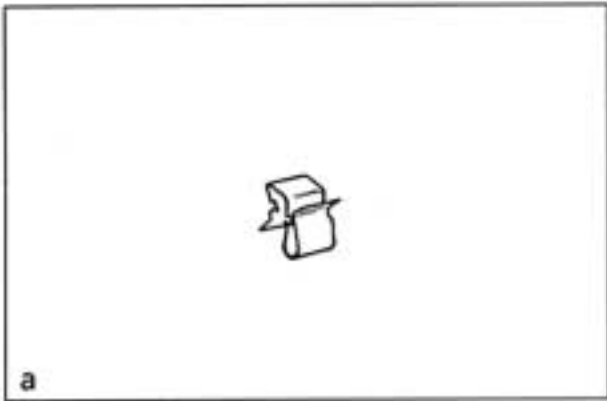


| Canvas-hose 3/16" | | | | | |
|---|----------------|--------------------------------------|---------------|---------------|-----------------|
| <i>pos.</i> | <i>art.nr.</i> | <i>description</i> | | | <i>material</i> |
| 31 | 305.02 | Canvas-hose 3/16"-4,8 mm (SAE 30 R3) | | | |
| Screw socket, canvas-hose 3/16" | | | | | |
| <i>pos.</i> | <i>art.nr.</i> | <i>description</i> | | | <i>material</i> |
| 32 | 449.01 | Screw socket | | | ST-YG |
| Straight stand pipe, canvas-hose 3/16" | | | | | |
| <i>pos.</i> | <i>art.nr.</i> | <i>description</i> | | | <i>material</i> |
| 33 | 308.02 | Straight stand pipe, 1/8-27 NPTF | | | ST-YG |
| Male stud elbow | | | | | |
| <i>pos.</i> | <i>art.nr.</i> | <i>size A</i> | <i>size B</i> | <i>size C</i> | <i>material</i> |
| 34 | 645.02 | 1/8-27 NPTF | 1/8 NPT | | ST-G |
| | 646.02 | 1/4-18 NPTF | 1/4 NPT | | ST-G |
| Male stud coupling | | | | | |
| <i>pos.</i> | <i>art.nr.</i> | <i>size A</i> | <i>size B</i> | <i>size C</i> | <i>material</i> |
| 36 | 640.02 | 1/8-27 NPTF | 1/8 NPT | | ST-YG |
| | 641.02 | 1/4-18 NPTF | 1/4 NPT | | ST-YG |

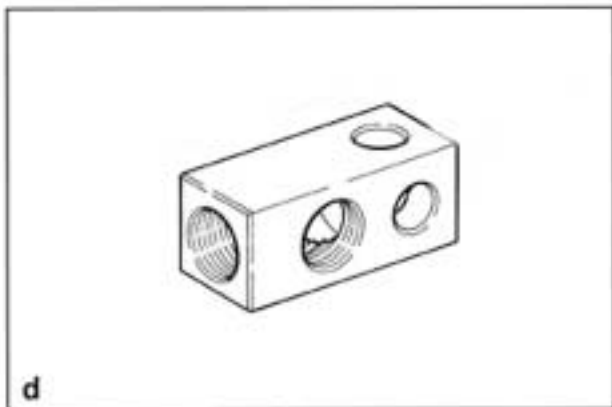
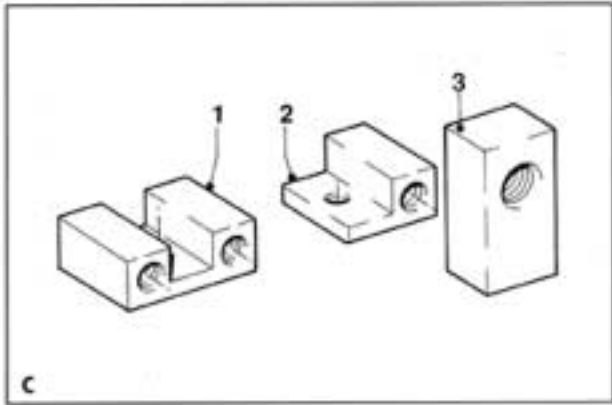
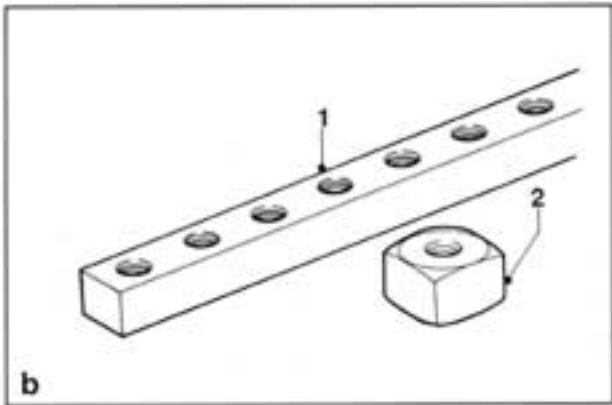
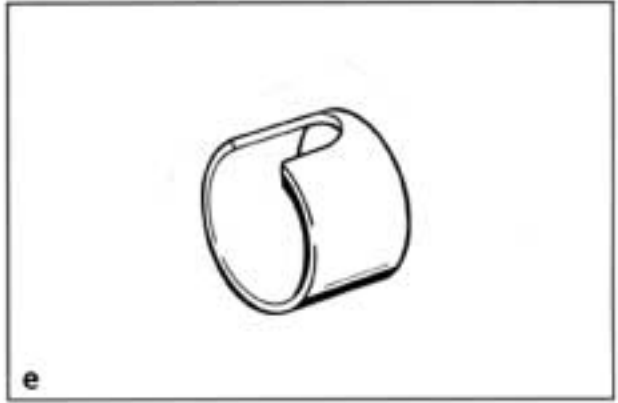
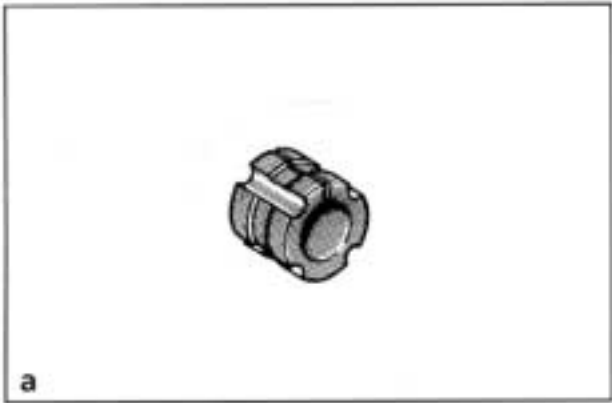


6 - VARIOUS MATERIALS AND PARTS

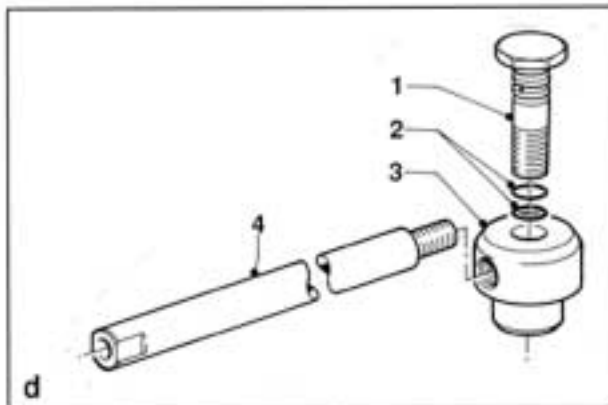
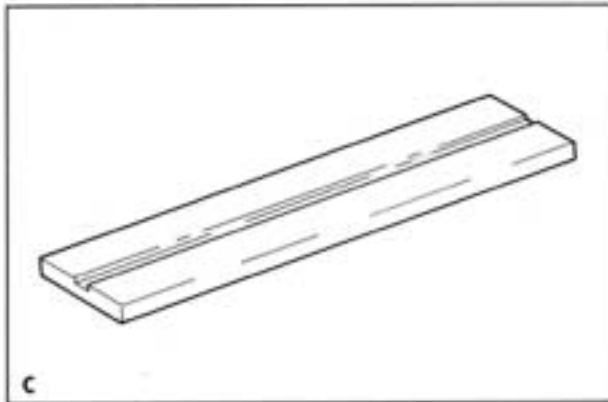
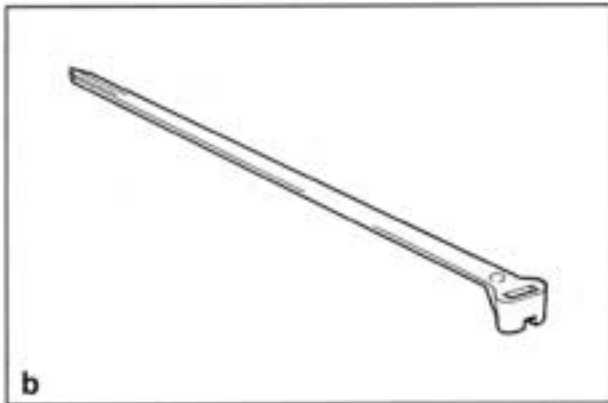
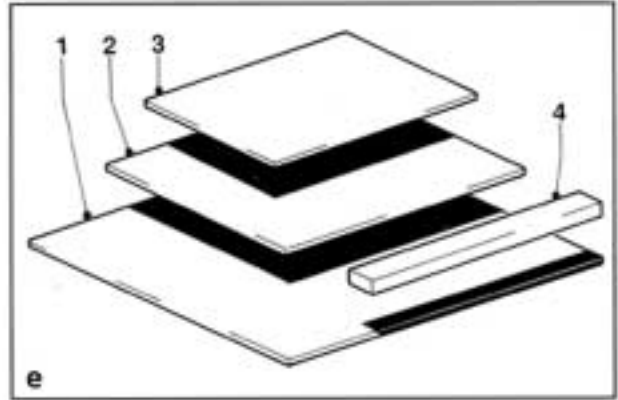
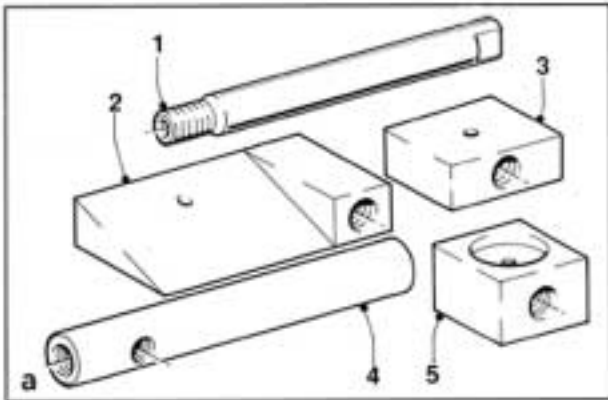
| Clamping materials | | | | | |
|---|----------------|-------------------------------------|-------------|----------------|-------------------------------------|
| a. Clamp (rubber lining) | | | | | |
| <i>pos.</i> | <i>art.nr.</i> | <i>description</i> | <i>pos.</i> | <i>art.nr.</i> | <i>description</i> |
| 1 | 027.01 | Screw, self-tapping M5x10 | 2 | 013.08 | Clamp, rubber lining 12 mm (M5) |
| | 814.02 | Screw M5x10 (SST) | | 001.12 | Clamp, rubber lining 14 mm (M5) |
| | 786.06 | Screw, self-drilling 4,8x16 | | 002.12 | Clamp, rubber lining 16 mm (M5) |
| 2 | 009.08 | Clamp, rubber lining 4 mm (M5) | | 085.12 | Clamp, rubber lining 16 mm (M8) |
| | 810.02 | Clamp, rubber lining 4 mm (M5) SST | | 003.12 | Clamp, rubber lining 18 mm (M5) |
| | F170756 | Clamp, rubber lining 6 mm (M10) | | 008.08 | Clamp, rubber lining 18 mm (M6) |
| | 010.08 | Clamp, rubber lining 6 mm (M5) | | 230.09 | Clamp, rubber lining 18 mm (M8) |
| | 811.02 | Clamp, rubber lining 6 mm (M5) SST | | 014.08 | Clamp, rubber lining 20 mm (M5) |
| | 011.08 | Clamp, rubber lining 8 mm (M5) | | 229.09 | Clamp, rubber lining 22 mm (M6) |
| | 812.02 | Clamp, rubber lining 8 mm (M5) SST | | 143.08 | Clamp, rubber lining 25 mm (M6) |
| | 349.08 | Clamp, rubber lining 8 mm (M8) | | 181.12 | Clamp, rubber lining 28 mm (M8) |
| | 012.08 | Clamp, rubber lining 10 mm (M5) | | 231.09 | Clamp, rubber lining 28 mm (M8) |
| | 813.02 | Clamp, rubber lining 10 mm (M5) SST | | 035.08 | Clamp, rubber lining 35 mm (M6) |
| | 142.08 | Clamp, rubber lining 10 mm (M6) | | | |
| b. Clamp (without rubber lining) | | | | | |
| <i>pos.</i> | <i>art.nr.</i> | <i>description</i> | <i>pos.</i> | <i>art.nr.</i> | <i>description</i> |
| 1 | 027.01 | Screw, self-tapping M5x10 | 2 | 804.02 | Clamp 4 mm (SST) |
| | 814.02 | Screw M5x10 (SST) | | 805.02 | Clamp 5 mm (SST) |
| | 786.06 | Screw, self-drilling 4,8x16 | | 806.02 | Clamp 6 mm (SST) |
| c. Pipe clamps with weldplate | | | | | |
| <i>pos.</i> | <i>art.nr.</i> | <i>description</i> | <i>pos.</i> | <i>art.nr.</i> | <i>description</i> |
| 1 | 089.02 | Allen bolt M6x20 | 3 | 820.02 | Weldplate for Ø 6-12 mm-clamp |
| | 126025 | Allen bolt M6x25 | | 821.02 | Weldplate for Ø 15 mm-clamp |
| | 126030 | Allen bolt M6x30 | | 839.02 | Weldplate for Ø 22 mm-clamp/ Ø 25mm |
| | 193.22 | Allen bolt M6x60 | | 061.02 | Bracket for clamp Ø 6-12 mm, L=70mm |
| 2 | 815.02 | Clamp Ø 6 mm | | 064.02 | Bracket for clamp Ø 15 mm, L=75mm |
| | 816.02 | Clamp Ø 8 mm | | 065.02 | Bracket for clamp Ø 22 mm, L=80mm |
| | 817.02 | Clamp Ø 10 mm | 4 | 216.12 | Cover plate 6-12 SST |
| | 818.02 | Clamp Ø 12 mm | | 16.012 | Cover plate 6-12 |
| | 819.02 | Clamp Ø 15 mm | | 159.12 | Cover plate 25 |
| | 838.02 | Clamp Ø 22 mm | | F170287 | Cover plate 27-30mm |
| | 157.12 | Clamp Ø 25 mm | | F170286 | Cover plate 14-18mm |
| d. Pipe clamps with weldplate | | | | | |
| <i>pos.</i> | <i>art.nr.</i> | <i>description</i> | <i>pos.</i> | <i>art.nr.</i> | <i>description</i> |
| 1 | 126030 | Allen bolt M6x30 | 2 | 153.12 | Clamp, double ø 16mm |
| | 126035 | Allen bolt M6x35 | | 129.12 | Clamp, double ø 22mm |
| | 126040 | Allen bolt M6x40 | 3 | 788.01 | Weldplate, clamp double 6/12mm |
| | 126050 | Allen bolt M6x50 | | 154.12 | Weldplate, clamp double 4/18mm |
| | 126060 | Allen bolt M6x60 | | 130.12 | Weldplate, clamp double 22mm |
| 2 | 784.01 | Clamp, double ø 6mm | 4 | 241.12 | Coverplate, clamp double 20-25 SST |
| | 785.01 | Clamp, double ø 8mm | | 215.12 | Coverplate, clamp double 6-12 SST |
| | 786.01 | Clamp, double ø 10mm | | 156.12 | Coverplate, clamp double 20-25 |
| | 787.01 | Clamp, double ø 12mm | | 155.12 | Coverplate, clamp double 14-18 |
| | 152.12 | Clamp, double ø 15mm | | 133.12 | Coverplate, clamp double 6-12 |



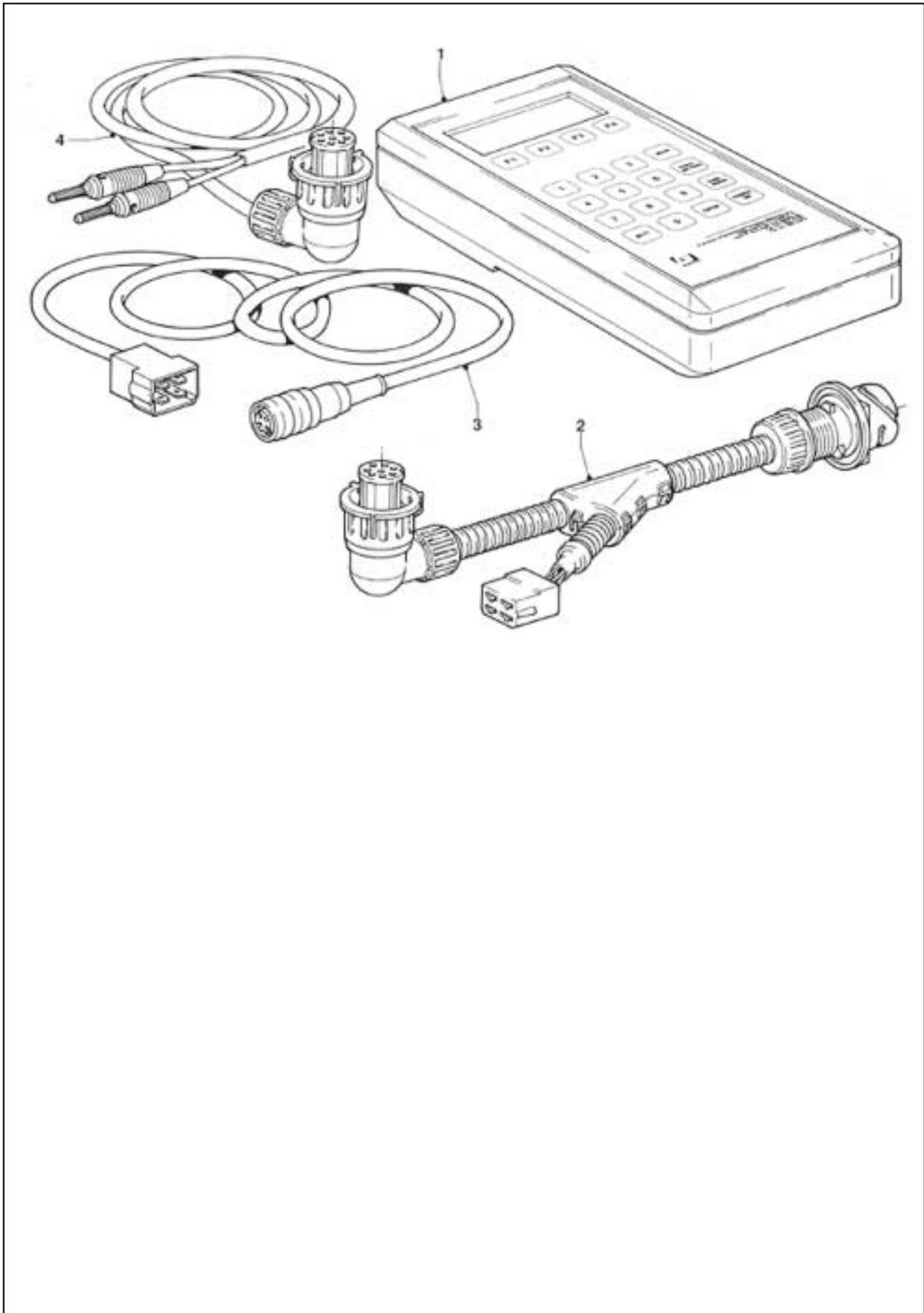
| a. Chassis clip | | | |
|--|----------------|-------------------------------------|-----------------|
| <i>pos.</i> | <i>art.nr.</i> | <i>description</i> | <i>material</i> |
| | 003.08 | Chassis clip 6 mm-3/16" | ST |
| | 004.08 | Chassis clip double 8 mm-3/16" | ST |
| | 005.08 | Chassis clip double 6 mm-3/16" | ST |
| b. Clamp, 2-parts | | | |
| <i>pos.</i> | <i>art.nr.</i> | <i>description</i> | <i>material</i> |
| | 827.02 | Clamp Ø 65 | ST |
| | 828.02 | Clamp Ø 70 | ST |
| | 829.02 | Clamp Ø 80 | ST |
| c. Clamp, 2-parts with weldblock (2 port) | | | |
| <i>pos.</i> | <i>art.nr.</i> | <i>description</i> | <i>material</i> |
| | 277.02 | Clamp Ø 65 | ST |
| | 278.02 | Clamp Ø 80 | ST |
| | 125.22 | Clamp Ø 135 | ST |
| d. Clamp with mounting plate | | | |
| <i>pos.</i> | <i>art.nr.</i> | <i>description</i> | <i>material</i> |
| | 238.22 | Clamp Ø 100 | ST-YG |
| e. Grommet | | | |
| <i>pos.</i> | <i>art.nr.</i> | <i>description</i> | <i>material</i> |
| 1 | 006.08 | Grommet 8 mm-5 mm | rubber |
| 1 | 001.08 | Grommet 11 mm-8 mm | rubber |
| 1 | 125.08 | Grommet 11,5 mm-5 mm | rubber |
| 1 | 126.08 | Grommet 13,5 mm-5 mm | rubber |
| 1 | 127.08 | Grommet 13,5 mm-8 mm | rubber |
| 1 | 128.08 | Grommet 16,5 mm-5 mm | rubber |
| 1 | 129.08 | Grommet 16,5 mm-8 mm | rubber |
| 2 | 021.08 | Grommet 20 mm-14 mm-4 mm | rubber |
| 2 | 034.08 | Grommet 20 mm-15 mm-6 mm | rubber |
| 2 | 243.01 | Grommet 21 mm-17 mm-5 mm (conical) | rubber |
| 2 | 244.01 | Grommet 19 mm-14 mm-10 mm (conical) | rubber |



| a. Brake hose rubber | | | |
|--|----------------|--------------------------------------|-----------------|
| <i>pos.</i> | <i>art.nr.</i> | <i>description</i> | <i>material</i> |
| | 007.08 | Fixing rubber for brake hose | rubber |
| b. Holes strip | | | |
| <i>pos.</i> | <i>art.nr.</i> | <i>description</i> | <i>material</i> |
| 1 | 132.01 | Strip with 1/4" holes (10) | ST |
| 1 | 131.01 | Strip with 1/8" holes (12) | ST |
| 1 | 158.22 | Strip with 1/8" holes (12) | SST |
| 2 | 874.02 | Block with 1/8" hole (1) | ST |
| c. Connecting block (aluminium) | | | |
| <i>pos.</i> | <i>art.nr.</i> | <i>description</i> | <i>material</i> |
| 1 | 210.01 | Connecting block G 1/8, 2 ports | aluminium |
| 2 | 209.01 | Connecting block G 1/8, 1 port | aluminium |
| d. Anchor block | | | |
| <i>pos.</i> | <i>art.nr.</i> | <i>description</i> | <i>material</i> |
| | 655.02 | Anchor block 1/8 NPT | ST-YG |
| e. Protection ring | | | |
| <i>pos.</i> | <i>art.nr.</i> | <i>description</i> | <i>material</i> |
| | 397.02 | Protection ring Ø 60x40 (1 recess) | ST |
| | 271.02 | Protection ring Ø 60x40 (2 recess) | ST |
| | 398.02 | Protection ring Ø 70x40 (1 recess) | ST |
| | 275.02 | Protection ring Ø 82,5x60 (1 recess) | ST |
| | 394.02 | Protection ring Ø 82,5x70 (1 recess) | ST |
| | 274.02 | Protection ring Ø 82,5x65 (1 recess) | ST |
| | 276.02 | Protection ring Ø 82,5x70 (1 recess) | ST |
| | 273.02 | Protection ring Ø 108x70 (1 recess) | ST |

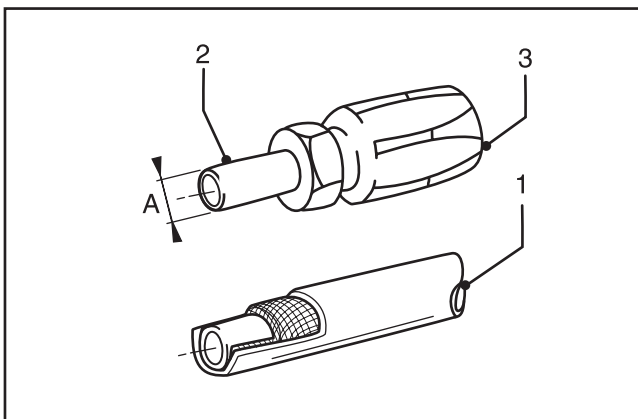
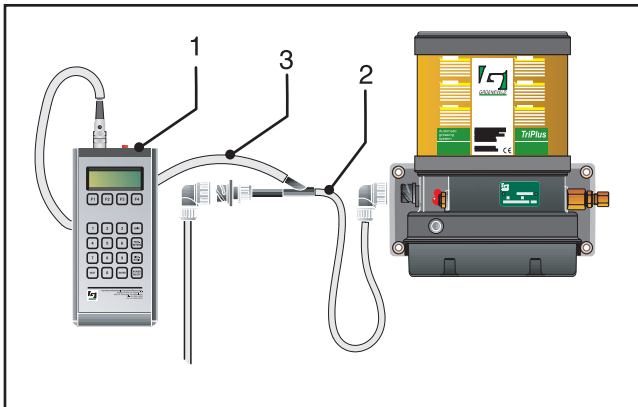


| a. Welding block etc. | | | |
|------------------------------|----------------|---------------------------------------|-----------------|
| <i>pos.</i> | <i>art.nr.</i> | <i>description</i> | <i>material</i> |
| 1 | 651.02 | Extension piece M10x1,5 l=120 | ST |
| | 367.22 | Extension piece M10x1,5 l=300 | ST |
| 2 | 876.02 | Welding block G 1/8, with key, left | ST |
| 2 | 877.02 | Welding block G 1/8, with key, right | ST |
| 3 | 875.02 | Welding block G 1/8, 16 mm thick | ST |
| 4 | 239.02 | Kettingsmeerstift, 16x8x120, M8x1-1/8 | ST |
| 5 | 225.02 | Welding block G 1/8, 20 mm thick | ST |
| b. Tie-wrap | | | |
| <i>pos.</i> | <i>art.nr.</i> | <i>description</i> | <i>material</i> |
| | 002.08 | Tie-wrap, black (l=186 mm) | |
| | 111.07 | Tie-wrap, black (l=338 mm) | |
| | 890.012 | Tie-wrap, white (l=200 mm) | |
| | 022.08 | Tie-wrap, white (l=360 mm) | |
| c. Welding strip | | | |
| <i>pos.</i> | <i>art.nr.</i> | <i>description</i> | <i>material</i> |
| 1 | 360.02 | Welding strip with grease sleeve | ST |
| d. Banjo | | | |
| <i>pos.</i> | <i>art.nr.</i> | <i>description</i> | <i>material</i> |
| 1 | 248.22 | Banjo bolt G1/8x35 | ST-YG |
| 1 | 523.22 | Banjo bolt G1/8x45 | ST-YG |
| 2 | 260.22 | O-ring 6,07x1,78 | rubber |
| 3 | 247.22 | Banjo bush | ST-YG |
| 3 | 249.22 | Banjo bush | ST-YG |
| 4 | 245.22 | Pipe 10x8 650 mm | ST-YG |
| 4 | 246.22 | Pipe 10x8 800 mm | ST-YG |
| e. Protection plate | | | |
| <i>pos.</i> | <i>art.nr.</i> | <i>description</i> | <i>material</i> |
| 1 | 253.22 | Protection plate 400x400x8 | ST |
| 2 | 252.22 | Protection plate 300x280x8 | ST |
| 3 | 251.22 | Protection plate 250x200x8 | ST |
| 3 | 393.02 | Protection plate | ST |
| 4 | 257.22 | Protection plate 270x30x15 | ST |



| GINA and accessories | | |
|-----------------------------|----------------|---------------------------|
| <i>pos.</i> | <i>art.nr.</i> | <i>description</i> |
| 1 | 865.01 | GINA progr. unit TWIN/DAF |
| 2 | 819.01 | GINA test cable for 82001 |
| 3 | 820.01 | GINA T-adapter for Twin |
| 4 | 010.17 | GINA test cable |

| GREENLUBE EP-2 | | | | |
|---|---|--|--|---|
| | Greenlube ZW-2 | Greenlube EP-2 | Greenlube MP-2 | Greenlube ELT-2 |
| NLGI-category ASTM D-217 DIN 51 818 | 2 | 2 | 2 | 2 |
| Thickening agent (kind of soap) | lithium/ calcium | lithium | lithium | lithium- complex |
| Dropping point conform ISO 2176, mettler FP 80/83 | 190° C | 180° C | 180° C | 260° C |
| Water resistance DIN 51 807 part 1 by 90° C | category 1 | category 1 | category 1 | category 1 |
| Temperature range (area of application) | -20° C +150° C | -25° C +130° C | -25° C +130° C | -55° C +120° C |
| Basic oil Viscosity by 40° C ASTM D-445 | mineral oil 1000 mm ² /s | mineral oil 280 mm ² /s | mineral oil 120 mm ² /s | synthetic oil 40 mm ² /s |
| Corrosion protection Sweet (max.) Salt (max.) (conform Emcor-test) DIN 51 802 | category 0 | klasse 0 | category 0 | category 0 |
| | category - | category - | category 0 | category 2 |
| Shell Four Ball-test conform IP 239 DIN 51 350 part 5 | 680 kg | 260 kg | n.v.t. zonder EP-additieven | 200 kg |
| Application | agriculture earth moving (heavy duty) | universal applications | ball roll bearings with high speed | extreme low temperature |



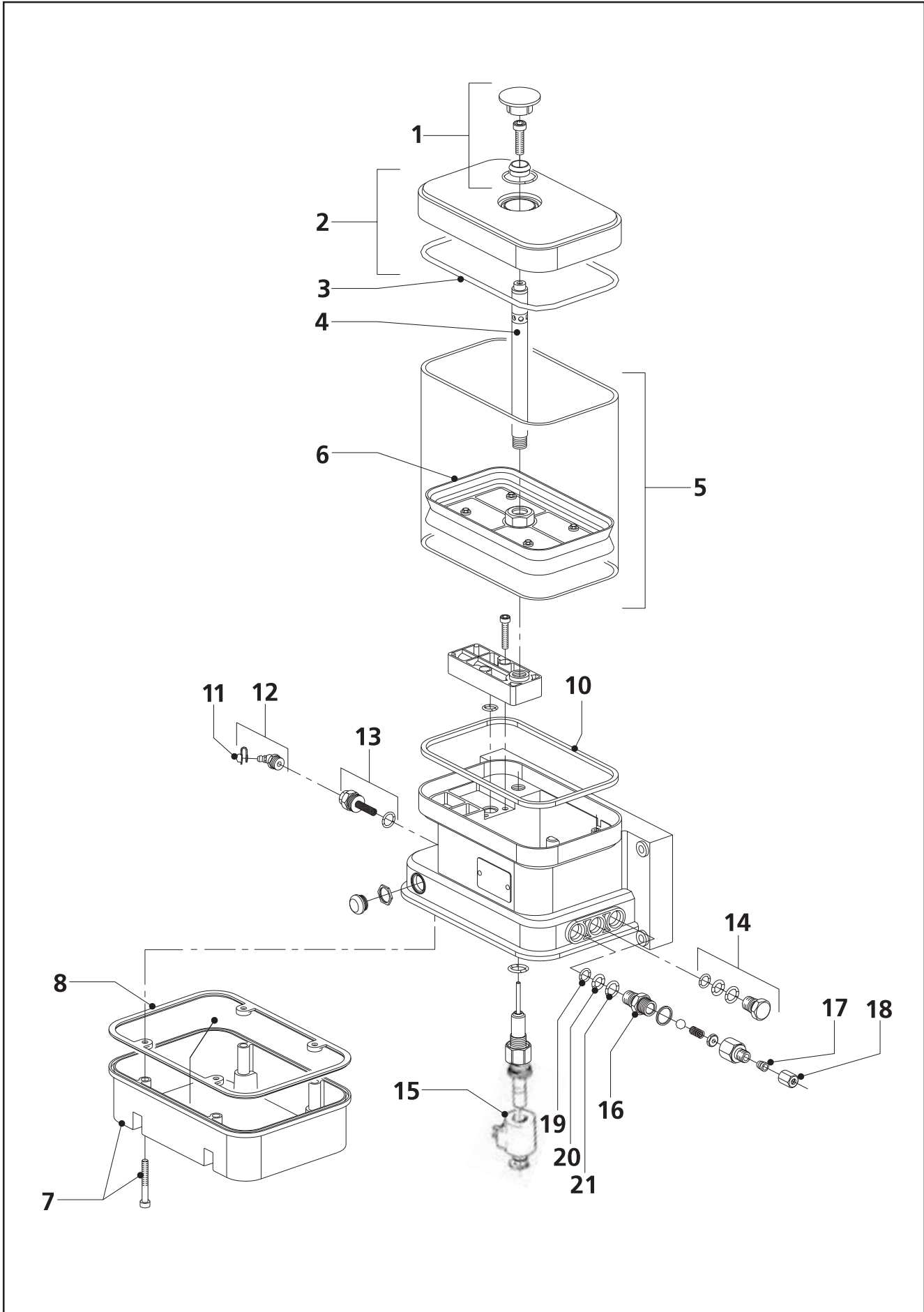
7 - TRIPLUS PARTS OVERVIEW

For Groeneveld Automatic Progressive Greasing Systems

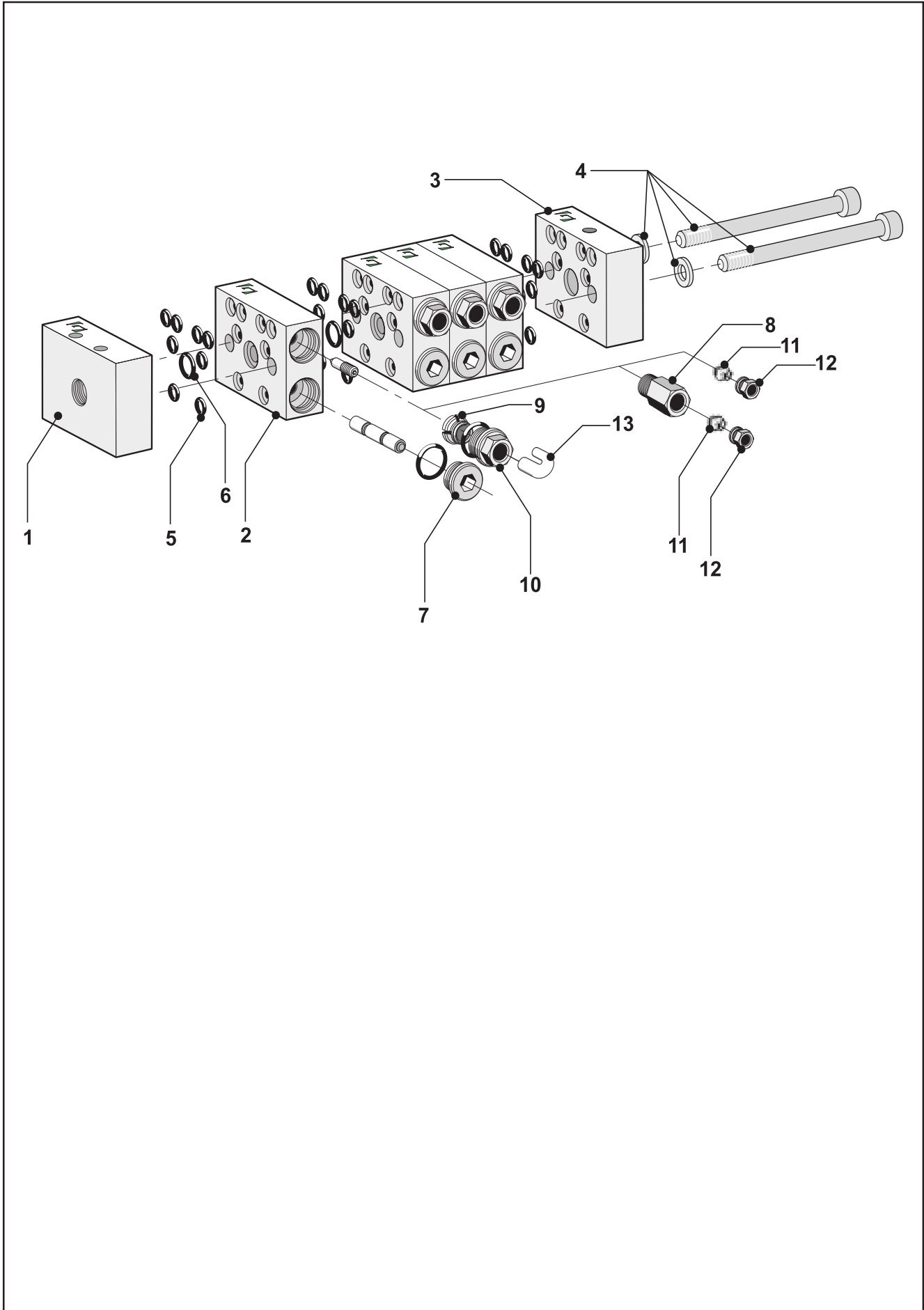
| Pumps | | |
|--------------|----------------|---|
| <i>pos.</i> | <i>art.nr.</i> | <i>description</i> |
| | 054.16 | TriPluspump 1 outlet (1-3) 2,6cc / 12 volt / 3 Ltr. |
| | 025.16 | TriPluspomp 1 outlet (1-3) 2,6cc / 24 volt / 3 Ltr. |
| | 038.16 | TriPluspomp 1 outlet (1-1) 2,6cc / 24 volt / 3 Ltr. |

| GINA and test cable | | |
|----------------------------|----------------|--|
| <i>pos.</i> | <i>art.nr.</i> | <i>description</i> |
| 1 | 044.16 | GINA, test and read-out unit for TriPlus |
| 1 | 177.16 | GINA for truck/ trailer |
| 2 | 065.14 | Test cable for TriPlus-GINA |
| 3 | 819.01 | Read-out cable |

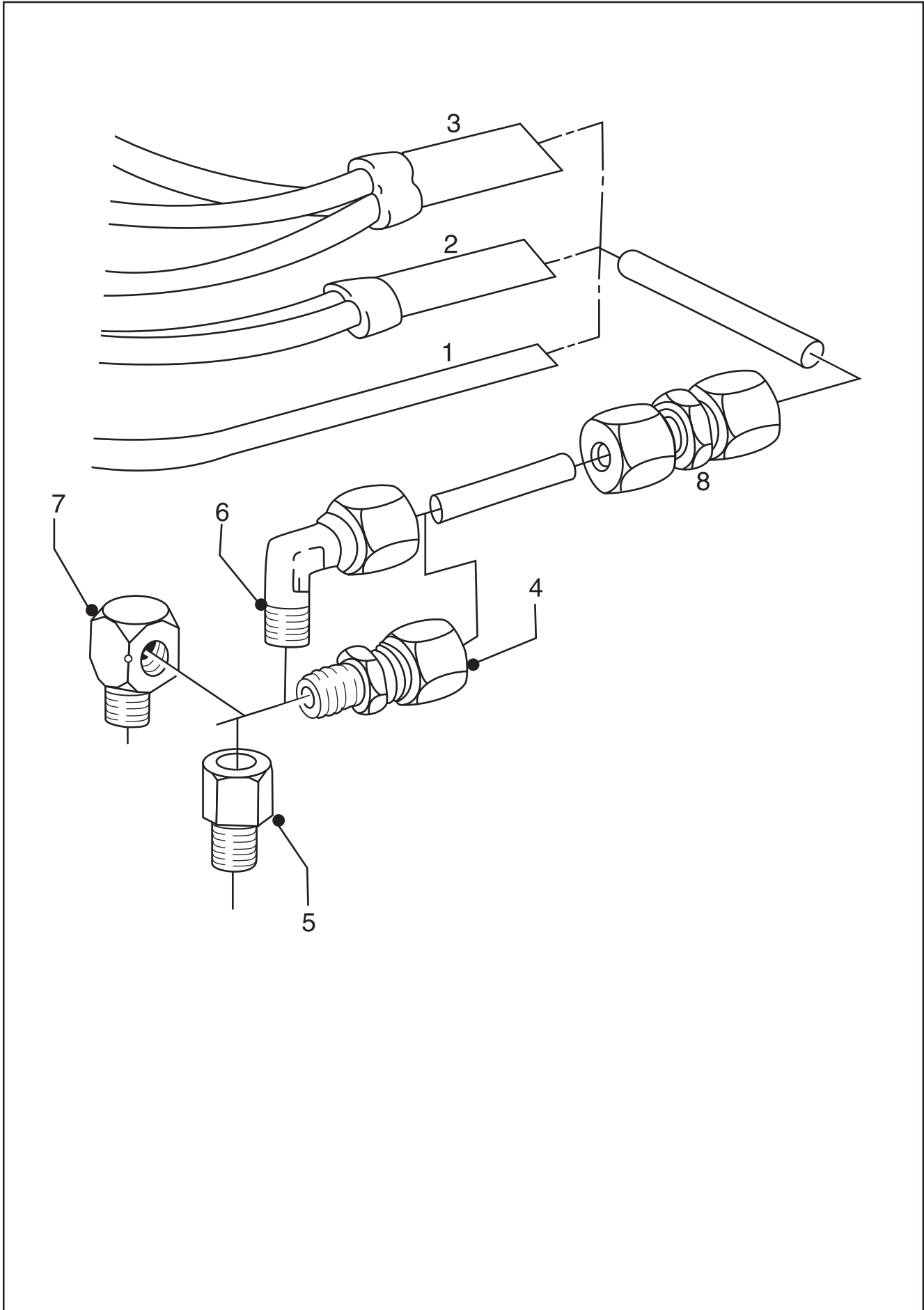
| Main line | | | |
|------------------|----------------|---|-----------------|
| <i>pos.</i> | <i>art.nr.</i> | <i>description</i> | <i>material</i> |
| 1 | 057.16 | High pressure hose \varnothing 4mm ID / \varnothing 9mm O.D. | |
| 2 | 118.16 | Elbow stand pipe \varnothing 6 (crimp) 4mm ID | ST-YG |
| 2 | 117.16 | Straight stand pipe \varnothing 6 (crimp) 4mm ID | ST-YG |
| 2 | 058.16 | Straight stand pipe \varnothing 6 (screw) 4mm ID | ST-YG |
| 2+3 | 095.16 | Elbow stand pipe + screw socket \varnothing 6 (screw) 4mm ID | ST-YG |
| 2+3 | 064.16 | Elbow stand pipe + screw socket \varnothing 4 (screw) 4mm ID | ST-YG |
| 2+3 | 062.16 | Straight stand pipe + screw socket \varnothing 5 (screw) 4mm ID | ST-YG |
| 2+3 | 063.16 | Straight stand pipe + screw socket \varnothing 8 (screw) 4mm ID | ST-YG |
| 3 | 119.16 | Crimp socket for 05716 | ST-YG |



| Parts overview pump | | |
|----------------------------|----------------|--|
| <i>pos.</i> | <i>art.nr.</i> | <i>description</i> |
| 1 | 597.01 | Fixing set, reservoircap |
| 2 | 887.01 | Reservoircap with O-ring |
| 3 | 306.01 | Reservoir O-ring |
| 4 | 888.01 | Follower piston guide 3 Ltr. reservoir |
| 5 | 892.01 | Reservoir 3 Ltr. |
| 6 | 890.01 | Follower piston |
| 7 | 878.01 | Bottom cap |
| 8 | 084.17 | Gasket |
| 10 | 893.01 | Reservoir O-ring |
| 11 | 871.01 | Dust cap |
| 12 | 870.01 | Grease nipple 1/4 NPT |
| | 021.17 | Grease nipple 45° 1/4 NPT |
| | 826.01 | Grease nipple 90° 1/4 NPT |
| 13 | 872.01 | Grease filter |
| 14 | 028.16 | Plug M14x1.5 |
| 15 | 056.16 | Extension set extra pump outlet 12 Volt |
| | 037.16 | Extension set extra pump outlet 24 Volt |
| 16 | 029.16 | Non-return valve M14x1.5 - M12x1.5 |
| 17 | 047.16 | Nut 6mm - M12x1.5 |
| 18 | 048.16 | Ferrule, single sided 6mm |
| 19 | 792.01 | O-ring |
| 20 | 086.17 | O-ring |
| 21 | 791.01 | O-ring |
| - | 082.12 | Pump bracket 8cm bended |
| - | 108030 | Bolt M8x30 ST-G |
| - | 200008 | Nut M8 ST-G |
| - | 300008 | Washer M8 ST-G |
| - | 330008 | Spring washer M8 ST-G |
| - | 386.22 | Greenlube EP-2 per 20kg |
| | 387.22 | Greenlube EP-2 per 50kg |
| | 014.22 | Greenlube EP-2 per 200kg |
| - | 081.16 | Wiring harness 8-core, 8 mtr. |
| | 080.16 | Wiring harness 8-core, 15 mtr. |
| - | 083.16 | Wiring harness 2-core, 12 mtr. for trailer |

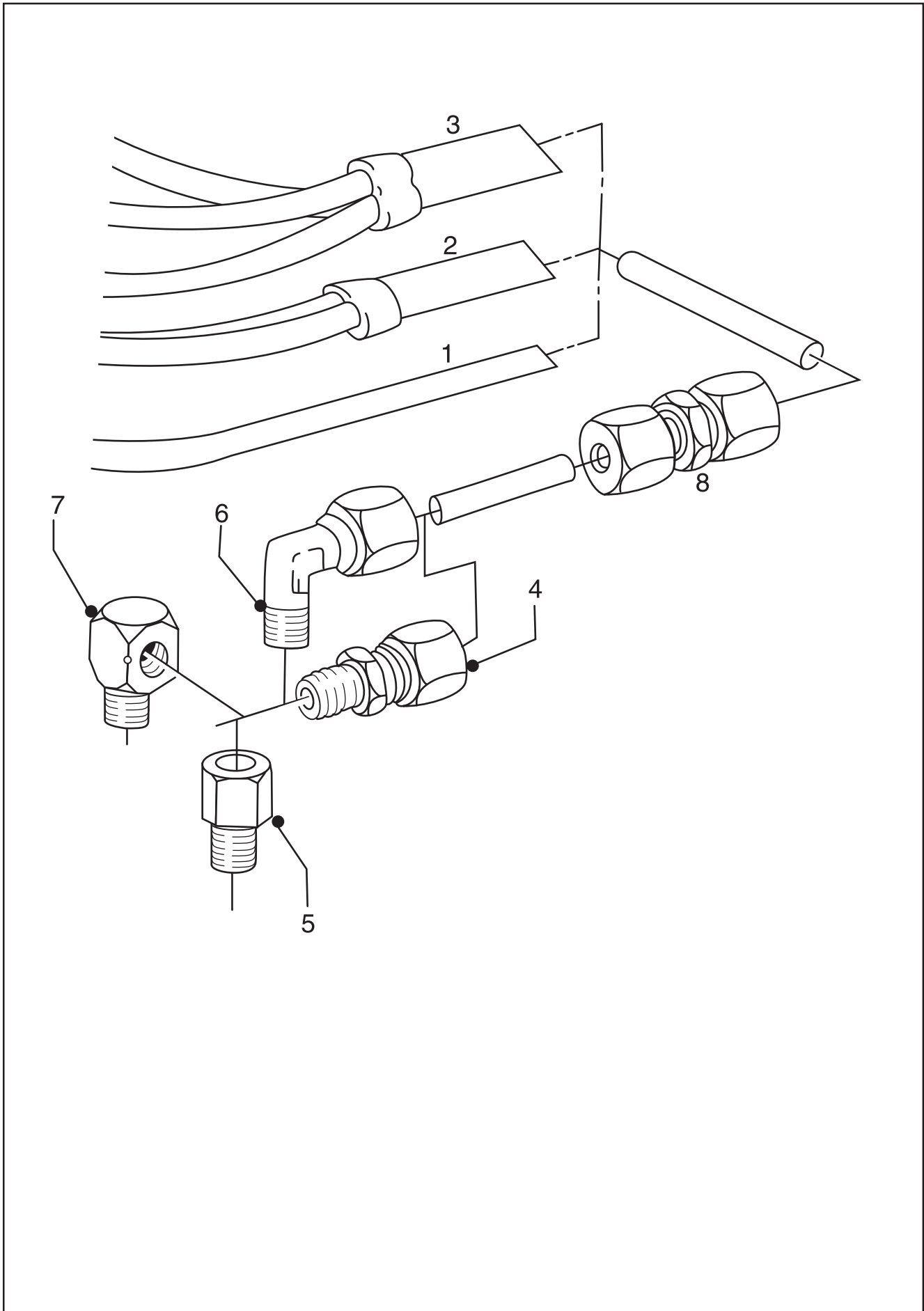


| SL000007 - Overview Distribution blocks & parts TriPlus | | | |
|--|----------------|--|--------------|
| <i>pos.</i> | <i>art.nr.</i> | <i>description</i> | <i>sizes</i> |
| 1 | 002.16 | Head block set | |
| 2 | 005.16 | Middle block set | 0.045cc |
| | 007.16 | Middle block set | 0.125cc |
| | 009.16 | Middle block set | 0.200cc |
| 3 | 003.16 | End block set | |
| 4 | 019.16 | Set with bolts - 3 middle block | M6x65 |
| | 020.16 | Set with bolts - 4 middle block | M6x80 |
| | 021.16 | Set with bolts - 5 middle block | M6x100 |
| | 022.16 | Set with bolts - 6 middle block | M6x115 |
| | 023.16 | Set with bolts - 7 middle block | M6x130 |
| | 024.16 | Set with bolts - 8 middle block | M6x145 |
| | 017.16 | Set with bolts - 9 middle block | M6x165 |
| | 018.16 | Set with bolts - 10 middle block | M6x180 |
| | 052.16 | Set with bolts - 11 middle block | M6x195 |
| | 053.16 | Set with bolts - 12 middle block | M6x210 |
| 5 | 029.17 | O-ring | 6,75x1,78 |
| 6 | 030.17 | O-ring | 18,77x1,78 |
| 7 | 010.16 | Plug | M12x1 |
| 8 | 036.16 | Non-return valve | |
| 9 | 012.16 | Ferrule, single sided | 6mm |
| | 066.16 | Ferrule, single sided | 5mm |
| 10 | 011.16 | Nut | 6mm-M12x1 |
| | 065.16 | Nut | 5mm-M12x1 |
| 11 | 014.16 | Ferrule, double sided | 6mm |
| 12 | 013.16 | Nut | 6mm-M12x1 |
| | 067.16 | Nut | 5mm-M12x1 |
| 13 | 049.16 | Connecting piece | |
| - | 074.16 | Mounting bracket - 3/5 middle block | |
| | 077.16 | Mounting bracket - 6/8 middle block | |
| | 078.16 | Mounting bracket - 9/12 middle block | |
| | 079.16 | Mounting bracket - 3/8 middle block L-type | |
| - | 125045 | Allen bolt M5x45 ST-G | |
| - | 200005 | Nut M5 ST-G | |
| | 200010 | Nut M10 ST-G | |
| - | 300005 | Washer M5 ST-G | |
| | 300010 | Washer M10 ST-G | |
| - | 330005 | Spring washer M5 ST-G | |
| | 330010 | Spring washer M10 ST-G | |

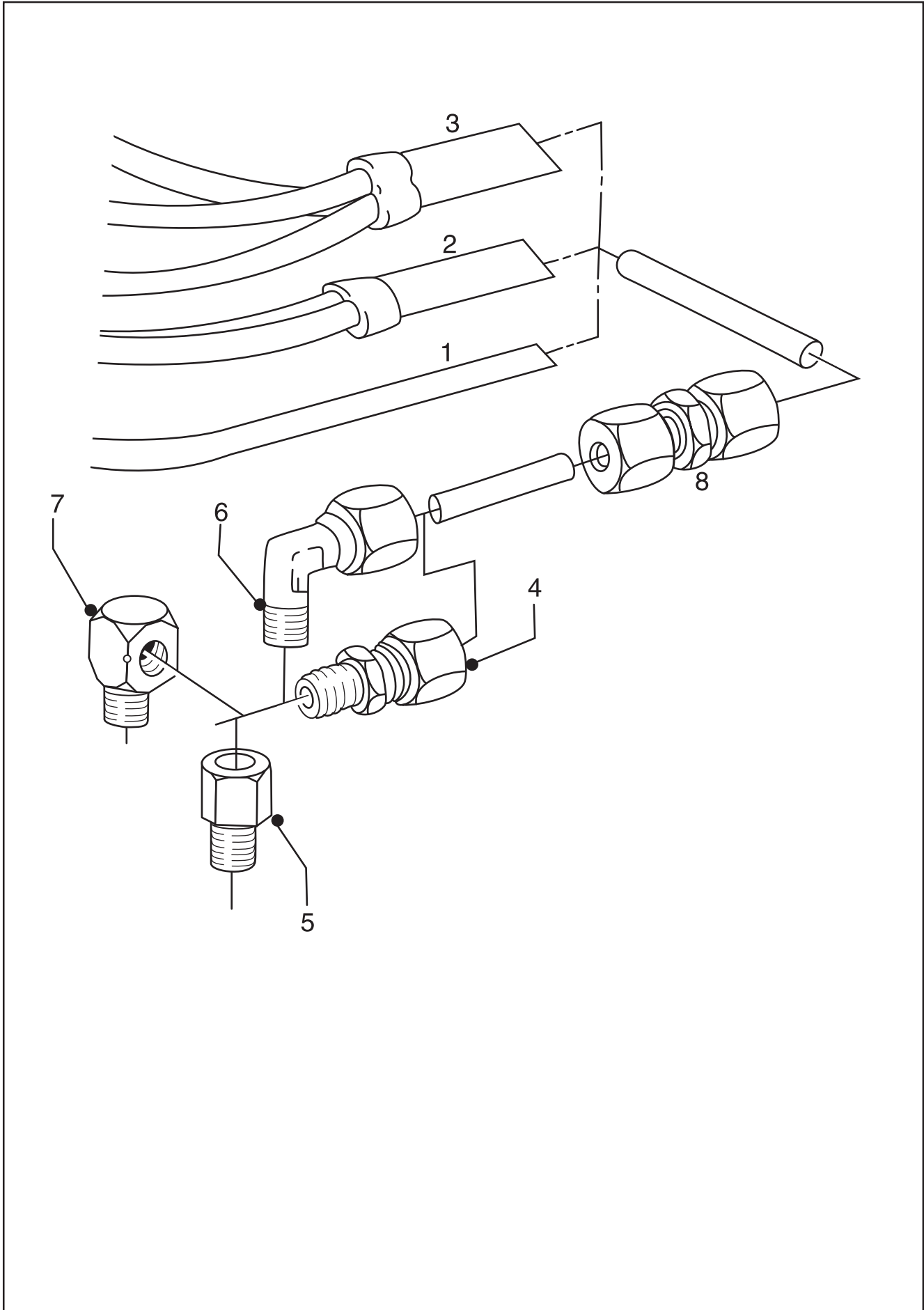


SECONDARY TUBES

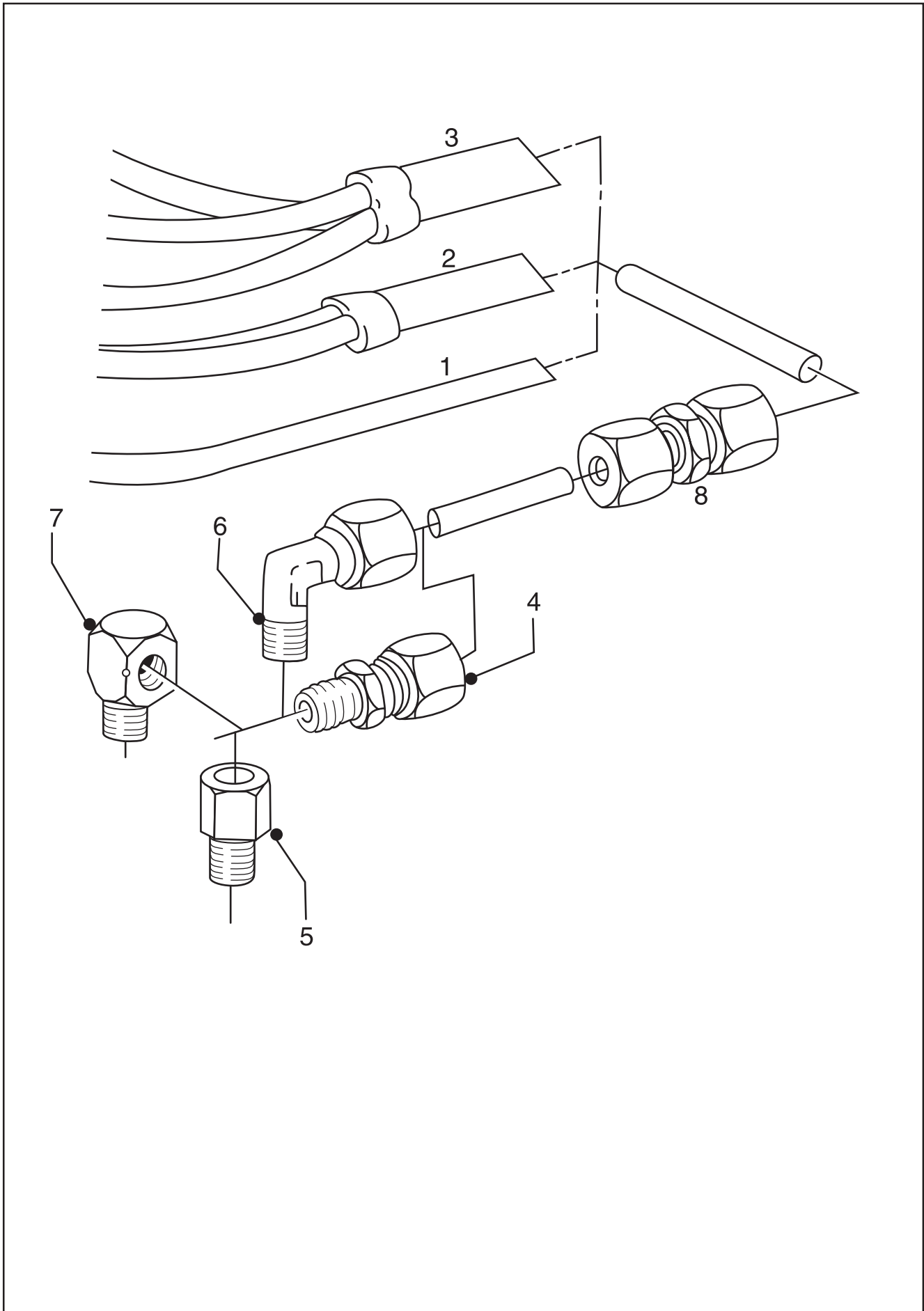
| Grease pipe, synthetic, single | | | |
|---------------------------------------|---------------|---|-----------------|
| <i>pos.</i> | <i>art.nr</i> | <i>description</i> | <i>material</i> |
| 1 | 301.02 | Grease pipe, single, 6 mm x 1,5 mm (DIN 73378) | PA |
| | 022.01 | Grease pipe, single 3/16" (DIN 73378) | PA |
| | 022.11 | Grease pipe, single 3/16" per 3m | PA |
| | 022.07 | Grease pipe, single 3/16" per 5m | PA |
| | 729.22 | Grease pipe, single 3/16" per mtr. (ex. grease) | PA |
| | 207.02 | Grease pipe, single 4mm per 1m | PA |
| | 542.01 | Grease pipe, single 6mm per 1m | PA |
| | 543.01 | Grease pipe, single 6mm per 2m | PA |
| | 722.01 | Grease pipe, single 6mm per 3m | PA |
| | 544.01 | Grease pipe, single 6mm per 4m | PA |
| | 193.17 | Grease pipe, single 6mm per 5m (Hard) | PA |
| | 998.01 | Grease pipe, single 6mm per 5m | PA |
| | 722.17 | Grease pipe, single 6mm per 5m (6x1,5 mm) | PA |
| | 773.01 | Grease pipe, single 6mm per m (6x1,5 mm) | PA |
| Grease pipe, synthetic, double | | | |
| <i>pos.</i> | <i>art.nr</i> | <i>description</i> | <i>material</i> |
| 2 | 023.01 | Grease pipe, double 3/16" (DIN 73378) | PA |
| | 023.11 | Grease pipe, double 3/16" per 3m | PA |
| | 023.17 | Grease pipe, double 3/16" per 5m | PA |
| | 545.01 | Grease pipe, double 6mm per 1m | PA |
| | 546.01 | Grease pipe, double 6mm per 2m | PA |
| | 723.01 | Grease pipe, double 6mm per 3m | PA |
| | 547.01 | Grease pipe, double 6mm per 4m | PA |
| | 723.17 | Grease pipe, double 6mm per 5m | PA |
| | 774.01 | Grease pipe, double 6mm per m | PA |
| Grease pipe, synthetic, triple | | | |
| <i>pos.</i> | <i>art.nr</i> | <i>description</i> | <i>material</i> |
| 3 | 024.01 | Grease pipe, triple 3/16" (DIN 73378) | PA |
| | 024.11 | Grease pipe, triple 3/16" per 3m | PA |
| | 024.17 | Grease pipe, triple 3/16" per 5m | PA |
| | 553.01 | Grease pipe, triple 6mm per 1m | PA |
| | 554.01 | Grease pipe, triple 6mm per 2m | PA |
| | 724.01 | Grease pipe, triple 6mm per 3m | PA |
| | 555.01 | Grease pipe, triple 6mm per 4m | PA |
| | 724.17 | Grease pipe, triple 6mm per 5m | PA |
| | 775.01 | Grease pipe, triple 6mm per m | PA |



| Male stud coupling (ferrule) | | | |
|-------------------------------------|----------------|--|-----------------|
| <i>pos.</i> | <i>art.nr.</i> | <i>description</i> | <i>material</i> |
| 4 | 104.01 | Male stud coupling \varnothing 3/16" - 1/8 | BR |
| | 421.01 | Male stud coupling \varnothing 3/16" - 1/8 NPTF | BR |
| | 138.01 | Male stud coupling \varnothing 3/16" - M10x1 con | BR |
| | 212.01 | Male stud coupling \varnothing 3/16" - M6x1 con | ST-YG |
| | 657.01 | Male stud coupling \varnothing 3/16" - M6x1 con | ST-YG(L) |
| | 101.01 | Male stud coupling \varnothing 3/16" - M7x1 | BR |
| | 130.01 | Male stud coupling \varnothing 3/16" - M8 | BR |
| | 219.01 | Male stud coupling \varnothing 3/16" - M8x1 con | BR |
| | 235.01 | Male stud coupling \varnothing 3/16" - M8x1 con | BR(L) |
| | 585.01 | Male stud coupling \varnothing 3/16" - M8x1 con | ST-YG |
| | 166.01 | Male stud coupling \varnothing 3/16" - M8x1,25 con | BR |
| | 188.01 | Male stud coupling \varnothing 3/16" - M8x1,25 con | BR |
| | 414.02 | Male stud coupling \varnothing 5 - M8 con | SST |
| | 413.02 | Male stud coupling \varnothing 5 - R1/8 | SST |
| | 081.08 | Male stud coupling \varnothing 6 - 1/4 | BR |
| | 530.22 | Male stud coupling \varnothing 6 - 1/4 BSP | ST-YG(L) |
| | 079.08 | Male stud coupling \varnothing 6 - 1/8 | BR |
| | 981.01 | Male stud coupling \varnothing 6 - 1/8 | BR |
| | 148.17 | Male stud coupling \varnothing 6 - 1/8 | SST |
| | 561.02 | Male stud coupling \varnothing 6 - G1/4 | SST |
| | 987.02 | Male stud coupling \varnothing 6 - G1/8 | SST |
| | 134.17 | Male stud coupling \varnothing 6 - M10x1 | BR |
| | 578.02 | Male stud coupling \varnothing 6 - M10x1 | SST |
| | 435.02 | Male stud coupling \varnothing 6 - M10x1 | ST-YG |
| | 150.17 | Male stud coupling \varnothing 6 - M6x1 short | ST-YG |
| | 840.01 | Male stud coupling \varnothing 6 - M6x1 | BR |
| | 135.17 | Male stud coupling \varnothing 6 - M6x1 | ST-YG |
| | 432.02 | Male stud coupling \varnothing 6 - M6x1 | ST-YG |
| | 136.17 | Male stud coupling \varnothing 6 - M8x1 | BR |
| | F170898 | Male stud coupling \varnothing 6 - M8x1 | SST |
| | 433.02 | Male stud coupling \varnothing 6 - M8x1 | ST-YG |
| | 434.02 | Male stud coupling \varnothing 6 - R1/8 | ST-YG |



| Reduction-adaptor | | | |
|----------------------------------|----------------|--|-----------------|
| <i>pos.</i> | <i>art.nr.</i> | <i>description</i> | <i>material</i> |
| 5 | 811.22 | Reduction-adaptor 1/4"-1/4" NPT | BR |
| | 641.02 | Reduction-adaptor 1/4, 18 NPTF - 1/4 NPT | ST-YG |
| | 029.01 | Reduction-adaptor 1/4-18 NPT 1/8-27 NPT | BR |
| | 618.01 | Reduction-adaptor 1/8" NPT - 1/4"G L60mm | ST-YG |
| | 238.12 | Reduction-adaptor 1/8" NPT - 1/4"G-60 | SST |
| | F170988 | Reduction-adaptor 1/8-1/8-80 | SST |
| | 640.02 | Reduction-adaptor 1/8-27 NPTF - 1/8 NPT | ST-YG |
| | 980.01 | Reduction-adaptor 1/8 NPTF - 22mm | BR |
| | 333.01 | Reduction-adaptor 1/8 NPTF - 42mm | ST-YG |
| | 977.01 | Reduction-adaptor 1/8 NPTF - 70mm | ST-YG |
| | 152.01 | Reduction-adaptor G1/8 1/4-28 UNF | BR |
| | F170989 | Reduction-adaptor G1/8 1/4-28 UNF | SST |
| | 155.01 | Reduction-adaptor G1/8 M8x1 con | BR |
| | 116.08 | Reduction-adaptor G1/8 R1/8 | BR |
| | 085.08 | Reduction-adaptor G1/8 R1/8 | BR |
| | 632.02 | Reduction-adaptor G1/8 - G1/4 | ST-YG |
| | 129.22 | Reduction-adaptor G1/8 - R1/8 40 | ST-YG |
| | 444.02 | Reduction-adaptor G1/8 - R1/8 | SST |
| | 161.11 | Reduction-adaptor M10x1 vst | ST-YG |
| | 479.01 | Reduction-adaptor M10xM8 | ST-YG |
| | 156.01 | Reduction-adaptor M8x1 M8x1 con | ST-YG |
| Male stud elbow (ferrule) | | | |
| <i>pos.</i> | <i>art.nr.</i> | <i>description</i> | <i>material</i> |
| 6 | 422.01 | Male stud elbow \varnothing 3/16 - 1/8 NPTF | BR |
| | 137.01 | Male stud elbow \varnothing 3/16 - M10x1 con | BR |
| | 121.01 | Male stud elbow \varnothing 3/16 - M8x1 | BR |
| | 187.01 | Male stud elbow \varnothing 3/16 - M8x1,25 | BR |
| | 102.01 | Male stud elbow \varnothing 3/16 - R1/8 NPT | BR |
| | 531.22 | Male stud elbow \varnothing 6 - 1/4 NPT | ST-YG |
| | 982.01 | Male stud elbow \varnothing 6 - 1/8 NPT | BR |
| | 559.02 | Male stud elbow \varnothing 6 - 1/8 NPT | SST |
| | 132.17 | Male stud elbow \varnothing 6 - M10x1 | BR |
| | 439.02 | Male stud elbow \varnothing 6 - M10x1 | ST-YG |
| | 436.02 | Male stud elbow \varnothing 6 - M6x1 | ST-YG |
| | 133.17 | Male stud elbow \varnothing 6 - M8x1 | BR |
| | 437.02 | Male stud elbow \varnothing 6 - M8x1 | ST-YG |
| | 082.08 | Male stud elbow \varnothing 6 - R1/4 | BR |
| | 562.02 | Male stud elbow \varnothing 6 - R1/4 | SST |
| | 080.08 | Male stud elbow \varnothing 6 - R1/8 | BR |
| | 438.02 | Male stud elbow \varnothing 6 -R1/8 | ST-YG |



| Male stud elbow | | | | | |
|---|----------------|---------------|---------------|---------------|-----------------|
| <i>pos.</i> | <i>artnr.</i> | <i>size A</i> | <i>size B</i> | <i>size C</i> | <i>material</i> |
| 7 | 085.01 | 1/4 UNF | 1/8G | | ST-YG |
| | 021.01 | 1/4 UNF | 1/8G | | ST-YG |
| | 445.02 | 1/4 UNF | 1/8G | | SST |
| | 979.01 | 1/8 NPTF | 1/8 NPTF | | ST-YG |
| | 933.01 | 1/8 NPTF | 1/8 NPTF | | ST-YG |
| | 633.02 | 1/8 NPTF | G1/8 | | SST |
| | 150.01 | G1/8 | G1/8 | | ST-YG |
| | 147.01 | M10x1 | M10x1 | | BR |
| | 151.11 | M10x1 | M10x1 | 12.5 | BR |
| | 213.01 | M6x1 con | M8x1 | | ST-YG |
| | F170875 | M6x1 con | M8x1 | | SST |
| | 930.01 | M8x1,25 | M8x1,25 | | BR |
| | 055.11 | M8x1 | M8x1 | l=44 | ST-YG |
| | 412.01 | M8x1 con | M8x1 | | BR |
| | 415.02 | M8x1 con | M8 | | BR |
| | 148.01 | M8x1 con | M8x1 | | BR |
| | 983.01 | M8x1 con | L | M8x1 | ST-YG |
| | 827.01 | R1/4 | R1/4 | | ST-YG |
| | 062.11 | R1/8" | R1/8" | | ST-YG |
| Straight connecting coupling (ferrule) | | | | | |
| <i>pos.</i> | <i>art.nr.</i> | <i>size A</i> | <i>size B</i> | <i>size C</i> | <i>material</i> |
| 8 | 083.08 | 6 | 6 | | BR |
| | 299.01 | 6 | 6 | | ST-YG |
| | 408.02 | 1/8" | 1/8" | | BR |
| | 106.01 | 3/16" | 3/16" | | BR |
| | 555.22 | 6 | 6 | | SST |

Groeneveld Australia Pty. Ltd.

18 - 20 Mc Dougall Road
P.O.Box 787
Sunbury, Vic 3429, AUSTRALIA
Tel.: +61 397 4099943
Fax: +61 397 4099665

Groeneveld Belgium NV/SA

Puursesteenweg 351
B2880 Bornem, BELGIUM
Tel.: +32 3 8979860
Fax: +32 3 8979861

CPL Systems Canada Inc.

7053 Twin Road R.R.3.
LoP 1Bo Oakville, Ontario, CANADA
Tel.: +1 905 875 1017
Fax: +1 905 875 2125

Groeneveld Deutschland GMBH

Bullermanshof 2B
47441 Moers-Hülsdonk, DEUTSCHLAND
Tel.: +49 2841 793520
Fax: +49 2841 7935222

Groeneveld France

53, rue Antoine Condorcet
38090 Vaulx Milieu, FRANCE
Tel.: +33 4 75999333
Fax: +33 4 74999350

Groeneveld France IT

53, rue Antoine Condorcet
38090 Vaulx Milieu, FRANCE
Tel.: +33 4 75999333
Fax: +33 4 74999350

GINTEC

Active Safety Ltd.,
49, Hasharoshet 1st
Karmiel, 20101, ISRAËL
Tel.: +972 4 9882220
Fax: +972 4 9883179

**Groeneveld L'Efficienza nel Trasporto
S.r.l. (GENT)**

Via Chiari 100
23868 Valmadrera (Lecco), ITALIA
Tel.: +39 3 41200536
Fax: +39 3 41201539

Groeneveld Italia (GRIT)

Via Chiari 100
23868 Valmadrera (Lecco), ITALIA
Tel.: +39 3 41201133
Fax: +39 3 41201158

Groeneveld Transport Efficiency B.V.

Postbus 777, 4200 AT Gorinchem
THE NETHERLANDS
Tel.: +31 183 641400
Fax: +31 183 624993

Groeneveld Information Technology B.V.

Stephensonweg 12, 4207 HB Gorinchem
THE NETHERLANDS
Tel.: +31 183 641400
Fax: +31 183 641690

Groeneveld Polska Sp. Z.o.o.

Ul. Ostrowska 476
61 - 342 Poznan, POLAND
Tel.: +48 61 8726207/08/09
Fax: +48 61 8798166

Groeneveld South Africa

Unit 65, Sunny Rock Park
Sun Rock Close, Germiston
1401 SOUTH AFRICA
Tel.: +27 11 4503977
Fax.: +27 11 4503980

Groeneveld Ibérica S.A.

Pol. Ind. Mercederías,
C/. Font de Sant Llorenç 36
08720 Vilafranca del Penedès (Barcelona), SPAIN
Tel.: +34 93 8171822
Fax: +34 93 8172061

Groeneveld Transport Efficiency U.K. Ltd.

The Greentec Centre
Gelders Hall Road, Shepshed
Loughborough, Leicestershire, LE12 9NH
UNITED KINGDOM
Tel.: +44 1509 600033
Fax: +44 1509 602000

Groeneveld Transport Efficiency, Inc.

1130 Industrial Parkway North
Brunswick, Ohio 44212, U.S.A.
Tel.: +1 330 2254949
Toll free: +1 800 5867283
Fax: +1 330 2255213
Mobile: +1 800 5867283

Groeneveld Pacific West L.L.C.

1089 Valentine Avenue SE
Pacific, WA 98047, U.S.A.
Tel.: +1 253 8633700
Fax: +1 253 8633131
Mobile: +1 253 6061838

Groeneveld Atlantic South, Inc.

9633 Palm River Road
Tampa, FL 33619, U.S.A.
Tel.: +1 813 6265600
Fax: +1 813 6265540
Mobile: +1 813 7650928

